



WALRUS

MULTISTAGE CENTRIFUGAL PUMP

Immersible Pumps

TPRK 2T / 4T 60Hz



Walrus America Inc
ISO 9001 Certified





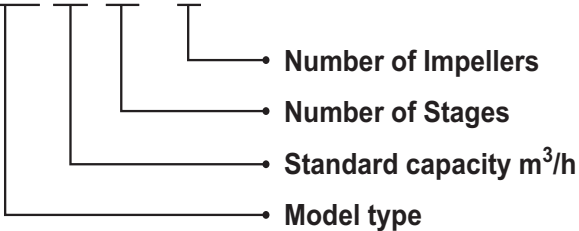
Applications

The WALRUS TPRK Series are vertical multistage centrifugal pumps, designed for industrial use, specially for machine tools, to carry non-aggressive liquids such as water, coolant, light oil, etc.

- Industrial circulation system
- Washing/cleaning system
- Filtration system

Product code

TPRK 2T ** -13



Pumps

Immersible vertical multistage centrifugal pump, self-priming, coupling connection between pump and motor, stainless steel construction design ensures corrosion-free operation.

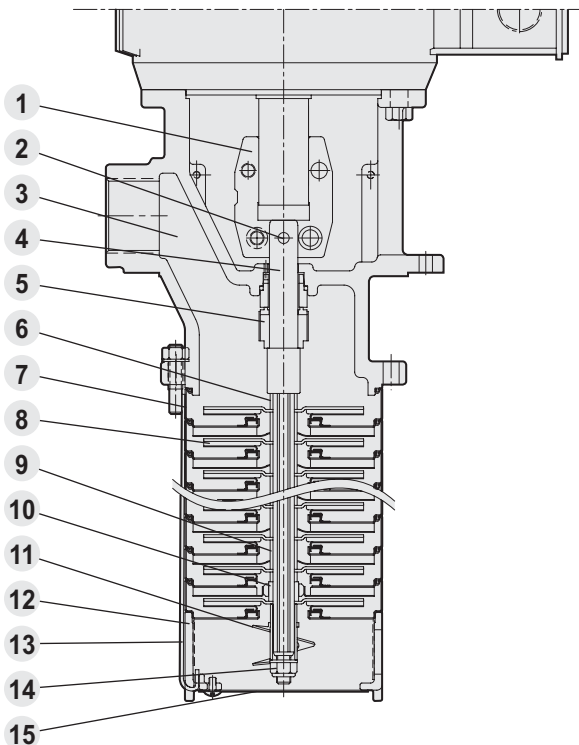
Motors

Nominal speed :3500 rpm at 60Hz
 Standard voltage : 3 phase : 230 / 460V
 Protection class: IP55
 Insulation class: F.

Operating Limits

Ambient temperature :Max. 122°F (50°C)
 Liquid temperature range :32°F (0°C) to 194°F (90°C)
 Flow: 4 GPM to 48 GMP
 Head: 40ft to 850ft
 Operating pressure :Max. 355 psi
 Submerged depth :Min. 2.6"

Sectional drawing

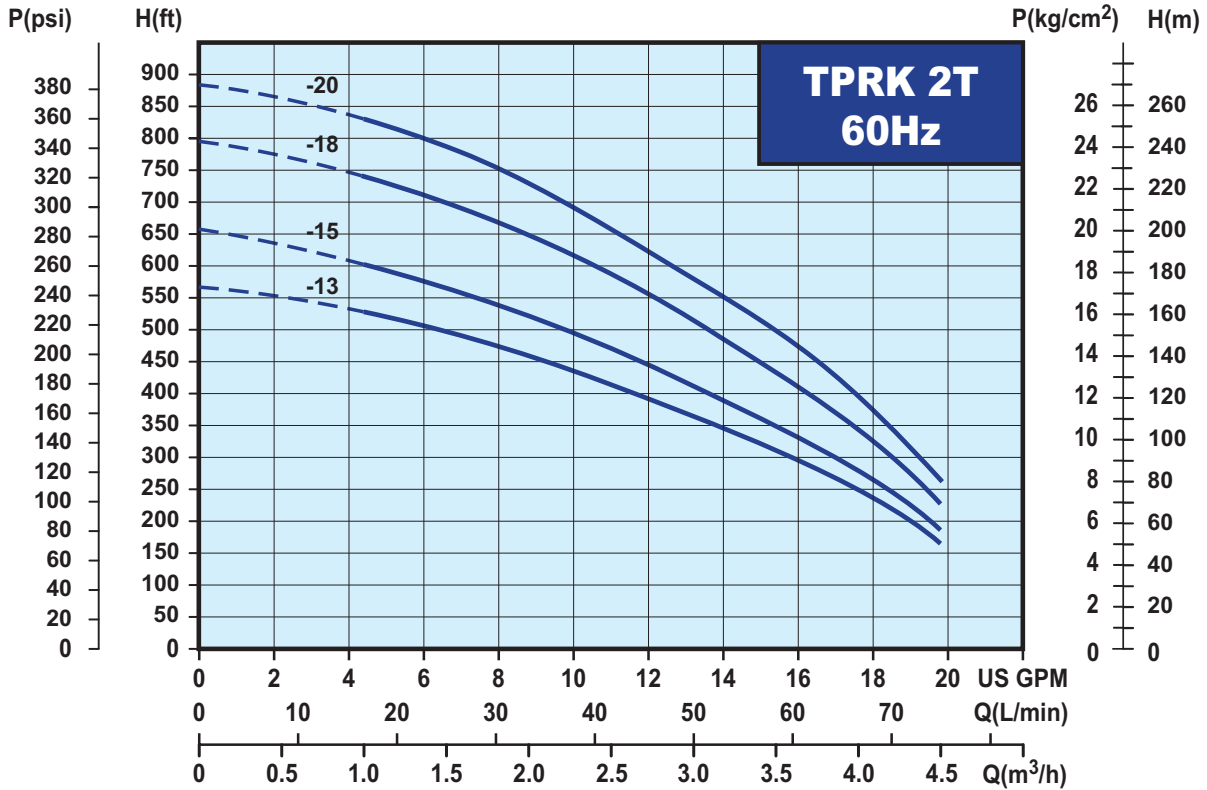


Materials

No.	Part name	Material
1	Coupling	SUS 304
2	Spring Pin	SUS 304
3	Pump Casing	Cast iron FCD 45
4	Shaft	SUS 304
5	Mechanical Seal	Tungsten Carbide + Viton
6	Sleeve	SUS 304
7	Intermediate Chamber	SUS 304
8	Impeller	SUS 304
9	Sleeve (impeller)	SUS 304
10	Bearing	Tungsten Carbide
11	Priming Screw	SUS 304
12	Suction Interconnector	SUS 304
13	Strap	SUS 304
14	Lock Nut	SUS 316
15	Filter	SUS 304



Performance curves

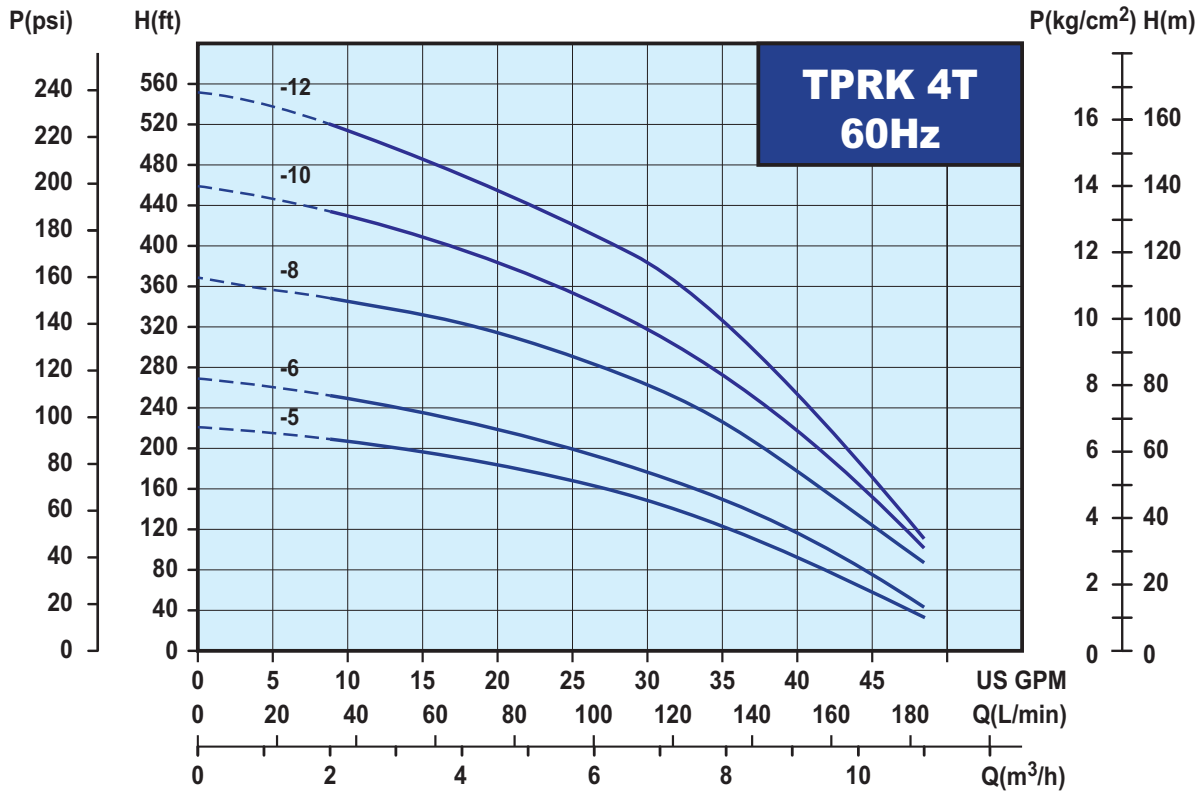


Electrical data, 60Hz , 3500rpm

Model	PH (Ø)	Power (kW)	Volts (V)	Ampere (A)
TPRK2T 13-13	3	3.0	230 / 460	10.3 / 5.2
TPRK2T 15-15	3	3.0	230 / 460	10.3 / 5.2
TPRK2T 18-18	3	4.0	230 / 460	13.4 / 6.7
TPRK2T 20-20	3	4.0	230 / 460	13.4 / 6.7



Performance curves

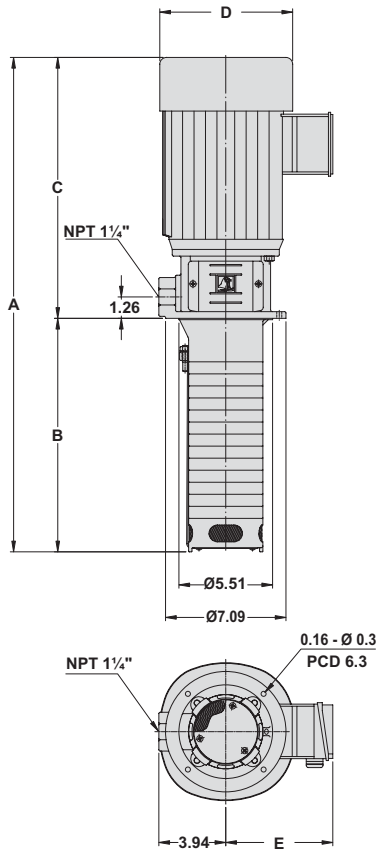


Electrical data, 60Hz , 3500rpm

Model	PH (Ø)	Power (kW)	Volts (V)	Ampere (A)
TPRK4T 5 - 5	3	2.2	230 / 460	7.7 / 4.0
TPRK4T 6 - 6	3	2.2	230 / 460	7.7 / 4.0
TPRK4T 8 - 8	3	3.0	230 / 460	10.3 / 5.2
TPRK4T 10-10	3	4.0	230 / 460	13.4 / 6.7
TPRK4T 12-12	3	4.0	230 / 460	13.4 / 6.7



Dimensions



Model	A (in.)	B (in.)	C (in.)	D (in.)	E (in.)	N.W. (lb)
TPRK 2T 60Hz						
TPRK2T 13-13	31.18	13.74	17.44	9.45	7.09	93.9
TPRK2T 15-15	32.60	15.16	17.44	9.45	7.09	95.7
TPRK2T 18-18	34.72	17.28	17.44	9.45	7.09	97.9
TPRK2T 20-20	36.14	18.70	17.44	9.45	7.09	99.6
TPRK2T 22-20	37.56	20.12	17.44	9.45	7.09	100.1
TPRK2T 26-20	40.39	22.95	17.44	9.45	7.09	101.4
TPRK 4T 60Hz						
TPRK4T 5 - 5	25.12	9.84	15.28	7.28	5.71	62.6
TPRK4T 6 - 6	26.18	10.91	15.28	7.28	5.71	63.1
TPRK4T 8 - 8	30.47	13.03	17.44	9.45	7.09	91.9
TPRK4T 10-10	32.60	15.16	17.44	9.45	7.09	93.0
TPRK4T 12-12	34.72	17.28	17.44	9.45	7.09	95.0
TPRK4T 14-12	36.85	19.41	17.44	9.45	7.09	96.1
TPRK4T 16-12	38.98	21.54	17.44	9.45	7.09	97.2
TPRK4T 17-12	40.04	22.60	17.44	9.45	7.09	97.5
TPRK4T 19-12	42.17	24.72	17.44	9.45	7.09	97.9
TPRK4T 22-12	45.35	27.91	17.44	9.45	7.09	100.5



Walrus America Inc

9808 Whithorn Drive, Houston, TX 77095
Phone: (281) 861-7738 Fax: (281) 861-7776
Web: www.walrusamerica.com