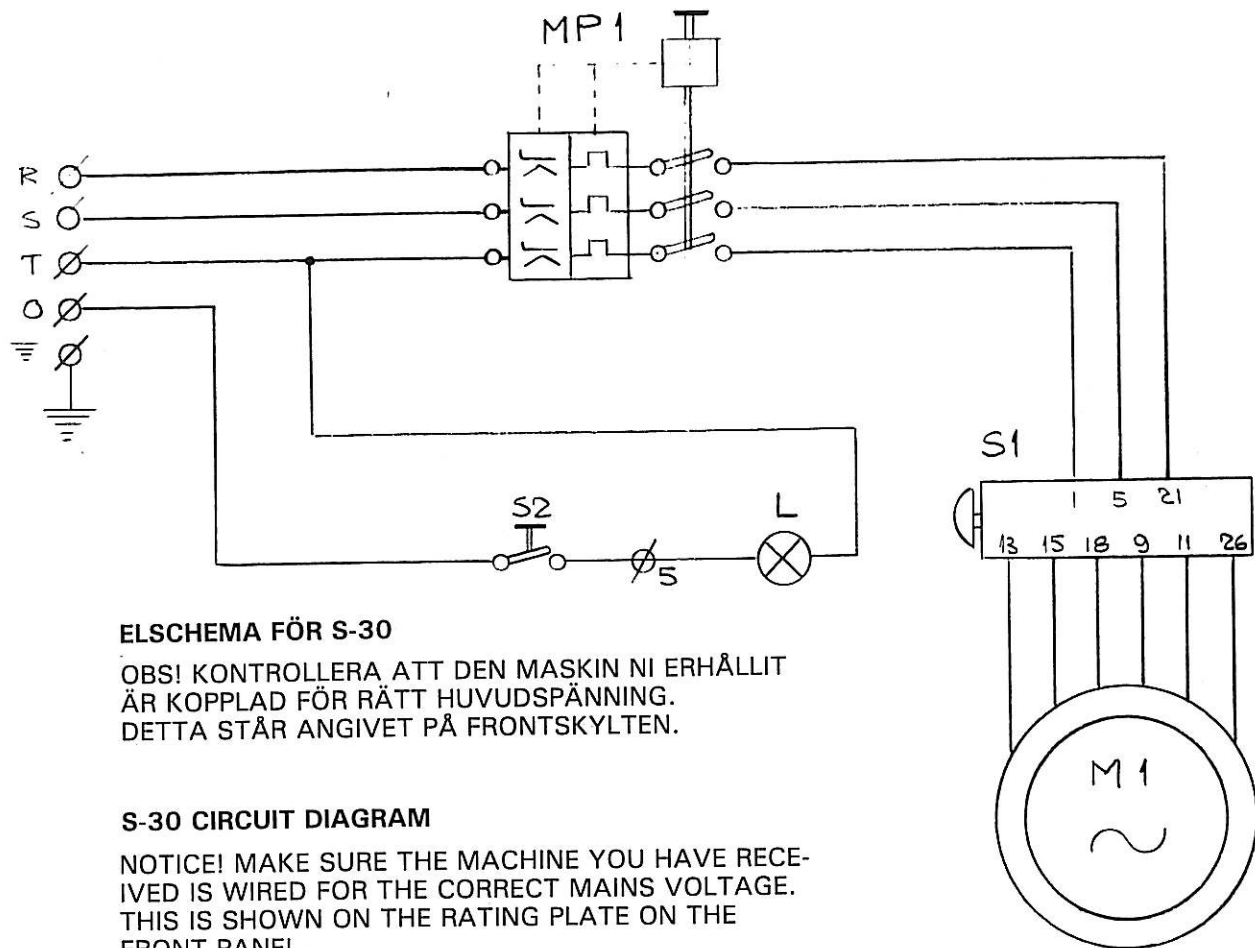


| KOMPONENTFÖRTECKNING S-30 ME | | COMPONENT LIST S-30 ME | KOMPONENTEVERZEICHNIS S-30 ME |
|---------------------------------|---|----------------------------------|----------------------------------|
| Beteckning Mark Bezeich. | Typbeteckning Type Typenbezeichn. | Benämning Name Bezeichnung | |
| M1 | 80/2-4-100 | Spindelmotor | |
| S1 | B9A442-610E | Polomkopplare | 3E04040 |
| S2 | 3608 SB | Strömbrytare | |
| LS1 | BZ-2RQA2 | Gränsläge | |
| PB1 | 3 SR 21 | Nödstopp | |
| PB2 | 3 SA8 120-Z | Spänning från | |
| PB3 | 3 SA8 120-Z | Spänning till | |
| PB4 | 3 SA8 120-Z | Matning stop | |
| PB5 | 3 SA8 120-Z | Matning start | |
| OL1 | 3.4A 49 | Överströmningsskydd | |
| C | 3TB 40-10 | Kontaktor | |
| R | 31-2024-V | Relä | |
| D | 2KBB10 | Likriktare | |
| SOL1 | WARNER | Magnetkoppling | |
| L | 2 x 25W/24V | Maskinbelysning | |
| T | 230, 380, 415 470/26V | Transformator | |
| F1 | 5 x 20 0,8 AT | Säkring | |
| F2 | 5 x 20 3A | Säkring | |
| Ø | BK12 | Kopplingsplint | |
| M1 | 80/2-4-100 | Spindle motor | |
| S1 | B9A442-610E | Switch | |
| S2 | 3608 SB | Switch | |
| LS1 | BZ-2RQA2 | Limit sw. | |
| PB1 | 3 SR 21 | Emergency stop | |
| PB2 | 3 SA8 120-Z | Off | |
| PB3 | 3 SA8 120-Z | On | |
| PB4 | 3 SA8 120-Z | Stop | |
| PB5 | 3 SA8 120-Z | Start | |
| OL1 | 3.4A 49 | Overload protection | |
| C | 3TB 40-10 | Main switch | |
| R | 31-2024-V | Relay | |
| D | 2KBB10 | Rectifier | |
| SOL1 | WARNER | Magn. clutch | |
| L | 2 x 25W/24V | Light | |
| T | 230, 380, 415 470/26V | Transformer | |
| F1 | 5 x 20 0,8 AT | Fuse | |
| F2 | 5 x 20 3A | Fuse | |
| Ø | BK12 | Terminal Board | |
| M1 | 80/2-4-100 | Spindelmotor | |
| S1 | B9A442-610E | Polumschalter | |
| S2 | 3608 SB | EIN/AUS-Schalter | |
| LS1 | BZ-2RQA2 | Grenzlageschalter | |
| PB1 | 3 SR 21 | NOT-Ausschalter | |
| PB2 | 3 SA8 120-Z | Spannung aus | |
| PB3 | 3 SA8 120-Z | Spannung ein | |
| PB4 | 3 SA8 120-Z | Vorsch. halt | |
| PB5 | 3 SA8 120-Z | Vorsch. start | |
| OL1 | 3.4A 49 | Überstromschutz | |
| C | 3TB 40-10 | Hauptschalter | |
| R | 31-2024-V | Relais | |
| D | 2KBB10 | Gleichricht. | |
| SOL1 | WARNER | Magn. kuppl. | |
| L | 2 x 25W/24V | Beleuchtung | |
| T | 230, 380, 415 470/26V | Trafo | |
| F1 | 5 x 20 0,8 AT | Sicherung | |
| F2 | 5 x 20 3A | Sicherung | |
| Ø | BK12 | Reihenklemme | |



ELSCHEMA FÖR S-30

OBS! KONTROLLERA ATT DEN MASKIN NI ERHÅLLIT ÄR KOPPLAD FÖR RÄTT HUVUDSPÄNNING. DETTA STÅR ANGIVET PÅ FRONTSKYLTEN.

S-30 CIRCUIT DIAGRAM

NOTICE! MAKE SURE THE MACHINE YOU HAVE RECEIVED IS WIRED FOR THE CORRECT MAINS VOLTAGE. THIS IS SHOWN ON THE RATING PLATE ON THE FRONT PANEL.

SCHALTBILD FÜR S-30

Achtung! Vor Inbetriebnahme überprüfen, ob die gelieferte Maschine für die vorhandene Netzspannung geschaltet ist. Diese muß mit dem Angaben auf dem Typenschild übereinstimmen.

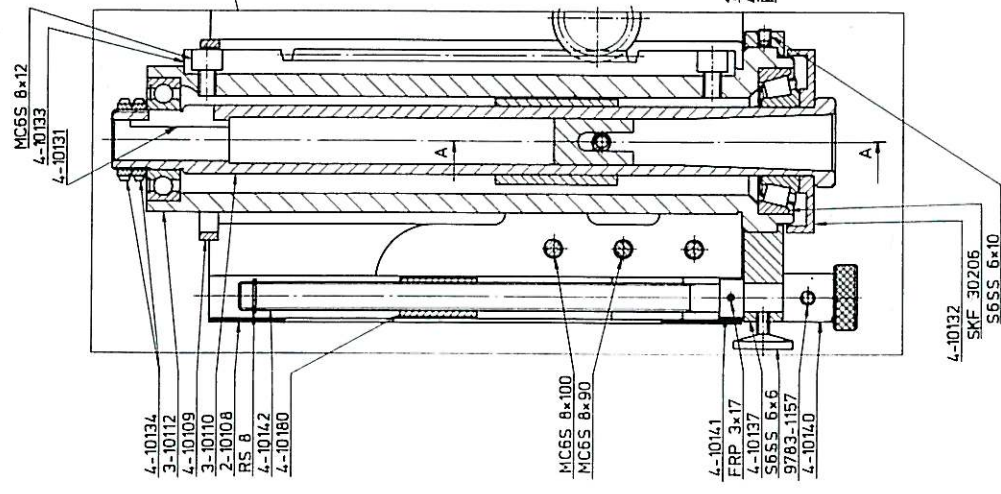
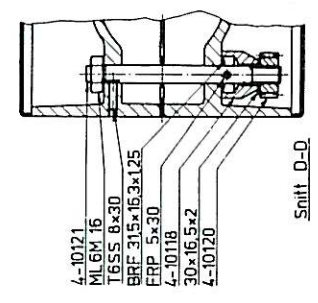
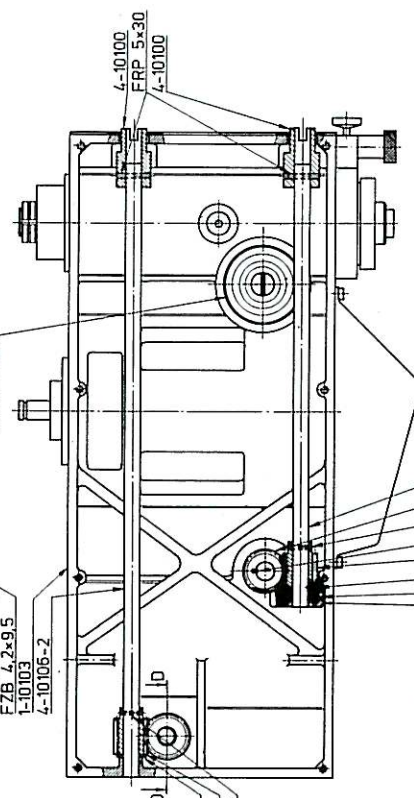
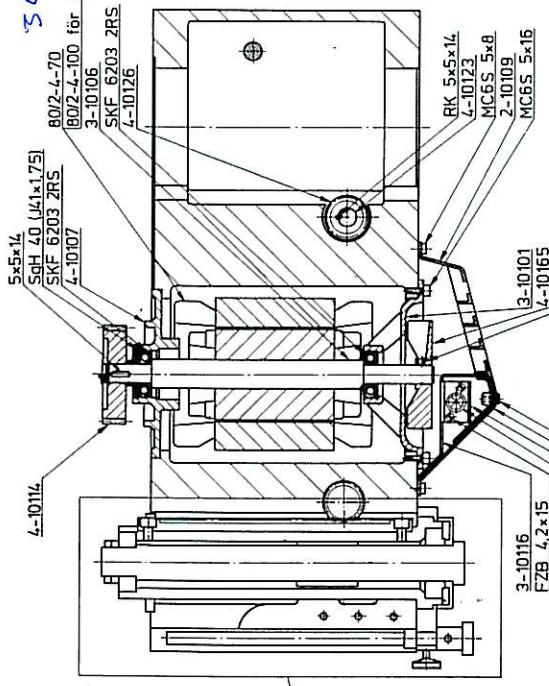
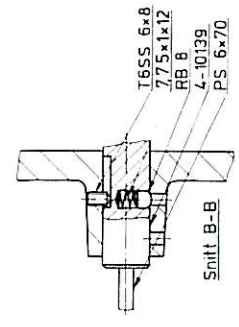
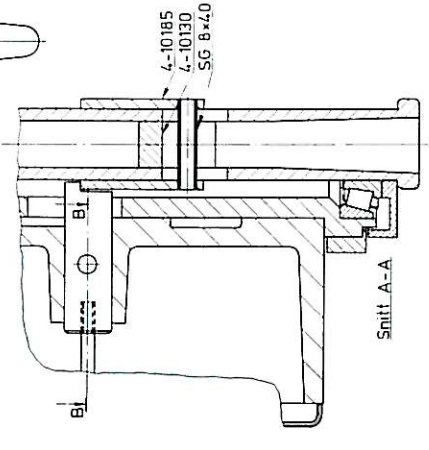
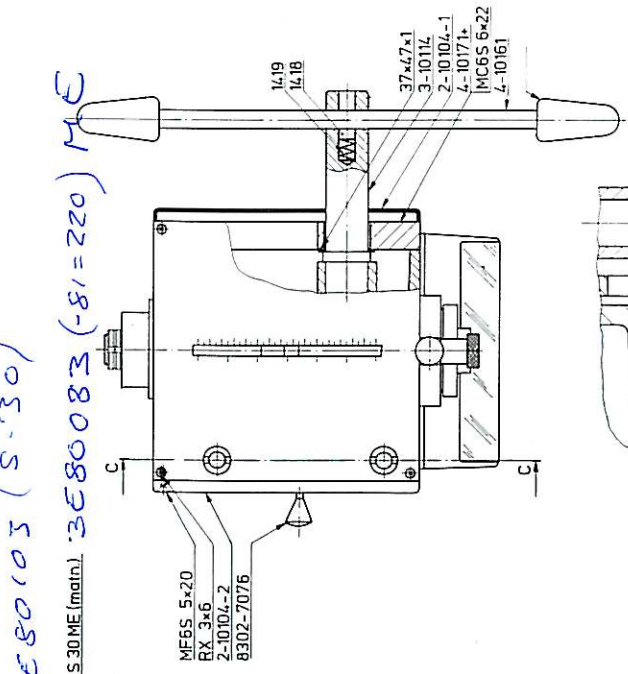
| KOMPONENTFÖRTECKNING S-30 | | COMPONENT LIST S-30 | KOMPONENTEVERZEICHNIS S-30 |
|--------------------------------|---|----------------------------------|-------------------------------|
| Beteckning Mark Bezeich. | Typbeteckning Type Typenbezeichn. | Benämning Name Bezeichnung | |
| M1 | 80/2-4-70 | Spindelmotor | |
| S1 | B9A442-610E | Polomkopplare | |
| MP1 | PKZM 0-2,4 | Motorskydd | |
| S2 | GN1 | Belysn.brytare | |
| L | 2 x 25W | Maskinbelysning | |
| Ø | BK 12 | Kopplingsplint | |
| M1 | 80/2-4-70 | Spindle motor | |
| S1 | B9A442-610E | Switch | |
| MP1 | PKZM 0-2,4 | Motor protec. | |
| S2 | GN1 | Light switch | |
| L | 2 x 25W | Light | |
| Ø | BK 12 | Terminal Board | |
| M1 | 80/2-4-70 | Spindelmotor | |
| S1 | B9A442-610E | Polumschalter | |
| MP1 | PKZM 0-2,4 | Motorschutzschalter | |
| S2 | GN1 | Beleuch.schalter | |
| L | 2 x 25W | Beleuchtung | |
| Ø | BK 12 | Reihen клемме | |

**RESERVDLSLISTA — SPARE PART LIST — ERSATZTEILLISTE
SPINDELVÄXELLÅDA — SPINDLE GEARING — SPINDELGETRIEBE**

| Art. nr | Benämning | Part Name | Bezeichnung |
|---------------|-------------------|--------------------------------|---------------------------------|
| 1-10 101 | Växellåda vänster | Gear box housing left part | Getriebekasten linke Hälfte |
| 1-10 102 | Växellåda höger | Gear box housing right part | Getriebekasten rechte Hälfte |
| 1-10 106 | Kåpa | Casing | Haube |
| 1-10 105 | Skylt | Name Plate | Schild |
| 2-10 110 | Hastighetsskylt | Spindle Speed Plate | Geschwindigkeits- schaubild |
| 3-10 104 | Axel | Shaft | Welle |
| 3-10 105 | Axel | Shaft | Welle |
| 3-10 115 | Axel | Shaft | Welle |
| 3-10 122 | Vred | Handle | Hahn |
| 4-10 105 | Axel | Shaft | Welle |
| 4-10 108 | Kuggghjul 35Z | Gear 35Z | Zahnrad 35Z |
| 4-10 109 | Styrhylsa | Guide Sleeve | Führungshülse |
| 4-10 110 | Hylsa | Sleeve | Hülse |
| 4-10 111 | Bricka | Washer | Scheibe |
| 4-10 112 | Distansbricka | Space Washer | Distanzscheibe |
| 4-10 114 | Kuggghjul 40Z | Gear 40Z | Zahnrad 40Z |
| 4-10 115-1 | Kuggghjul 47Z | Gear 47Z | Zahnrad 47Z |
| 4-10 115-2 | Kuggghjul 40Z | Gear 40Z | Zahnrad 40Z |
| 4-10 115-3 | Kuggghjul 64Z | Gear 64Z | Zahnrad 64Z |
| 4-10 116-2 | Kuggghjul 40Z | Gear 40Z | Zahnrad 40Z |
| 4-10 116-3 | Kuggghjul 33Z | Gear 33Z | Zahnrad 33Z |
| 4-10 116-4 | Kuggghjul 16Z | Gear 16Z | Zahnrad 16Z |
| 4-10 129 | Kuggghjul 40Z | Gear 40Z | Zahnrad 40Z |
| 4-10 162 | Kopplingsbricka | Clutch plate | Kupplungsscheibe |
| 4-10 163 | Kopplingsklack | Clutch shoulder | Kupplungsnase |
| 4-10 164 | Styrtärning | Guide seal | Führungsdichtung |
| 4-10 168 | Kuggghjul 40Z | Gear 40Z | Zahnrad 40Z |
| 4-10 169 | Tryckskruv | Push schrew | Druckschraube |
| 4-10 170 | Arm | Arm | Arm |
| 4-10 172-1 | Kopplingsbygel | Clutch yoke | Kupplungsbygel |
| 4-10 172-2 | Kopplingsbygel | Clutch yoke | Kupplungsbygel |
| 4-10 184 | Kamskiva | Cam plate | Nockenscheibe |
| 4-10 191-1 | Inläggskil 42 mm | Insertion key 42 mm | Einlagekeil 42 mm |
| 4-10 191-2 | Inläggskil 20 mm | Insertion key 20 mm | Einlagekeil 20 mm |
| 4-10 113 | Distansbricka | Space Washer | Distanzscheibe |
| 4-10 167-3 | Axel | Shaft | Welle |
| 1803 | Styrring | Guide ring | Führungsring |
| 1806 | Nitbricka | Rivet washer | Nietscheibe |
| 1817 | Lock med | Cover | Deckel |
| SKF 4203 | Kullager | Ball bearing | Kugellager |
| SKF 6203 | Kullager | Ball bearing | Kugellager |
| RK 5 x 5 x 18 | Kil | Key | Keil |
| RK 5 x 5 x 30 | Kil | Key | Keil |
| FN 4 x 26 | Nit | Rivet | Niet |
| SgA 15 | Säkring | Seeger-lock washer | Seeger Sicherung |
| SgA 17 | Säkring | Seeger-lock washer | Seeger Sicherung |
| MC6S 6 x 22 | Skruv | Screw | Schraube |
| MC6S 6 x 50 | Skruv | Screw | Schraube |

3E80103 (S.30)

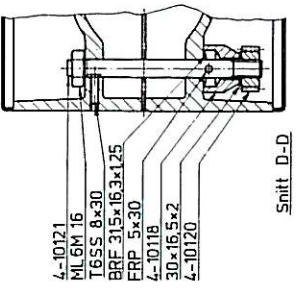
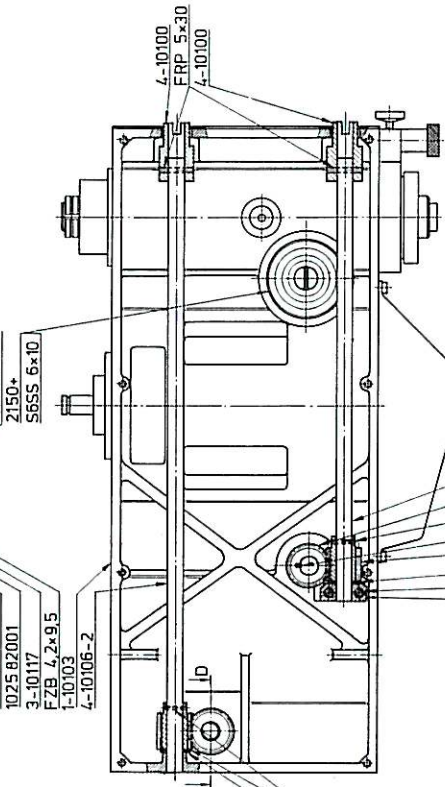
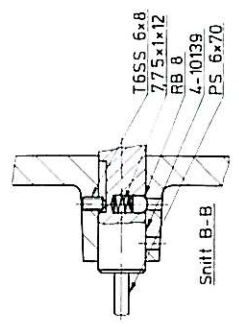
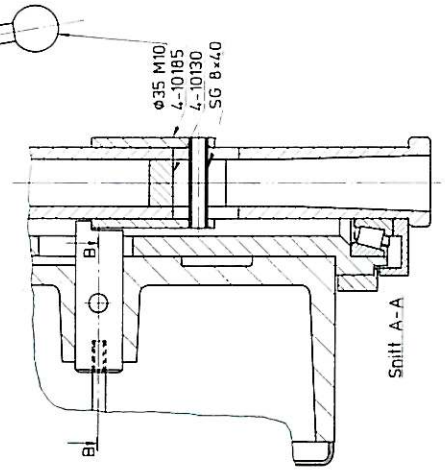
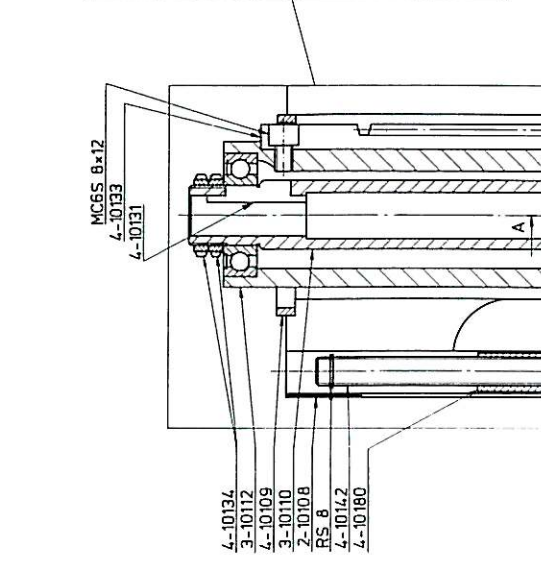
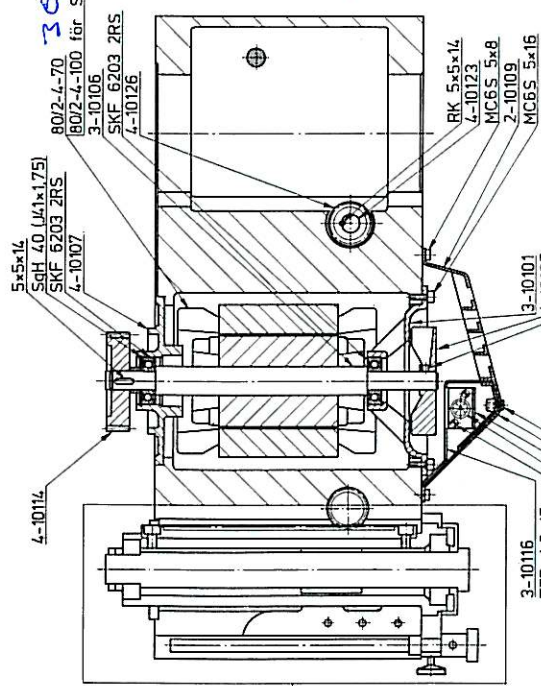
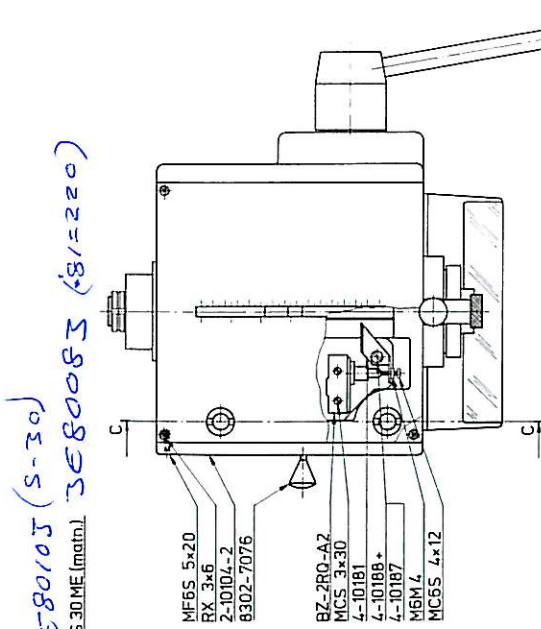
3E80083 (-81=220) ME



**RESERVDLSLISTA — SPARE PART LIST — ERSATZTEILLISTE
SPINDELDOCKA-MAN. MATNING — SPINDLE STOCK-MAN. FEED — SPINDLESTOCK-MAN. VORSCHUB**

| Art.nr. | Benämning | Part Name | Bezeichnung |
|------------------------|-----------------|----------------------|-------------------|
| 1-10 103 | Spindeldocka | Spindle stock | Spindelstock |
| 2-10 104-1 | Lock | Cover | Deckel |
| 2-10 104-2 | Lock | Cover | Deckel |
| 2-10 108 | Skyllt II | Name plate II | Schild II |
| 2-10 109 | Kåpa | Casing | Haube |
| 3-10 101 | Lagerhus | Bearing housing | Lagergehäuse |
| 3-10 106 | Motoraxel | Motor shaft | Motorwelle |
| 3-10 110 | Borrspindel | Drill spindle | Bohrspindel |
| 3-10 112 | Spindelhylsa | Spindle sleeve | Spindelhülse |
| 3-10 114 | Kuggaxel | Gear shaft | Zahnwelle |
| 3-10 116 | Reflektor | Reflector | Schirm |
| 3-10 117 | Skyddsglas | Protection glass | Schutzglas |
| 4-10 100 | Hylsa | Sleeve | Hülse |
| 4-10 106-1 | Axel | Shaft | Welle |
| 4-10 106-2 | Axel | Shaft | Welle |
| 4-10 107 | Lagerlock | Bearing cover | Lagerdeckel |
| 4-10 109 | Styrhylsa | Guide sleeve | Führungshülse |
| 4-10 118 | Hylsa | Sleeve | Hülse |
| 4-10 119 | Kughjul 17Z | Gear 17Z | Zahnrad 17Z |
| 4-10 120 | Kuggghjul 17Z | Gear 17Z | Zahnrad 17Z |
| 4-10 121-1 | Axel | Shaft | Welle |
| 4-10 122 | Snäckskruv | Worm schrew | Sneckenschraube |
| 4-10 123 | Axel | Shaft | Welle |
| 4-10 126 | Kuggghjul 17Z | Gear 17Z | Zahnrad 17Z |
| 4-10 130 | Plugg | Plug | Propfen |
| 4-10 131 | Drivkil | Driving key | Triebkeil |
| 4-10 132 | Rullagerlock | Roller bearing cover | Rollenlagerdeckel |
| 4-10 133 | Kuggstång | Rack | Zahnstange |
| 4-10 134 | Låsmutter | Locking nut | Sperrmutter |
| 4-10 137 | Ok | Yoke | Joch |
| 4-10 139 | Axel | Shaft | Welle |
| 4-10 140 | Hylsa | Sleeve | Hülse |
| 4-10 141 | Distansämne | Space ring | Distanzring |
| 4-10 142 | Ställskruv | Adjustment screw | Einstellschraube |
| 4-10 161 | Nedmatningsarm | Arm | Arm |
| 4-10 165 | Fläkt | Fan | Gebläse |
| 4-10 171 | Mellanarm | Interframe | Zwischenrahmen |
| 4-10 180 | Mutter | Nut | Mutter |
| 4-10 189 | Bricka | Washer | Scheibe |
| 4-10 190 | Fäste | Holder | Halter |
| 1418 | Bricka | Washer | Scheibe |
| 1419 | Fjäder | Spring | Feder |
| 2150 | Återgångsfjäder | Return spring | Rückgangfeder |
| 80/2-4-70 | Motor | Motor | Motor |
| 9783-1157 | Ratt | Hand wheel | Handrad |
| 8302-7076 | Knopp | Knob | Knopf |
| 66 312 95 | Glödlampa | Bulb | Lampe |
| 1025 82001 | Lamphållare | Lamp socket | Lampenfassung |
| RS 8 | Säkring | Seeger-lock washer | Seeger Sicherung |
| SgH 40 (J41 x 1,75) | Säkring | Seeger-lock washer | Seeger Sicherung |
| SKF 30206 | Kullager | Ball bearing | Kugellager |
| SKF 6203 2RS | Kullager | Ball bearing | Kugellager |
| SKF 6205 Z | Kullager | Ball bearing | Kugellager |
| RB 8 | Kula | Ball | Kugel |
| RK 5 x 5 x 14 | Kil | Key | Keil |
| 7,75 x 1 x 12 | Fjäder | Spring | Feder |
| BRF 31,5 x 16,3 x 1,25 | Brickfjäder | Spring washer | Tellerfeder |
| 16,5 x 30 x 2 | Bricka | Washer | Scheibe |
| 16 x 26 x 0,5 | Bricka | Washer | Scheibe |
| 37 x 47 x 1 | Bricka | Washer | Scheibe |
| FRP 3 x 17 | Rörpinne | Roll pin | Spannstift |
| FRP 5 x 20 | Rörpinne | Roll Pin | Spannstift |
| FRP 5 x 30 | Rörpinne | Roll pin | Spannstift |
| SG 8 x 40 | Pinne | Pin | Stift |
| ML6M 16 | Mutter | Nut | Mutter |
| Mc6S 5 x 8 | Skruv | Screw | Schraube |
| MC6S 6 x 16 | Skruv | Screw | Schraube |
| MC6S 6 x 22 | Skruv | Screw | Schraube |
| MC6S 6 x 40 | Skruv | Screw | Schraube |
| MC6S 8 x 12 | Skruv | Screw | Schraube |
| MC6S 8 x 90 | Skruv | Screw | Schraube |
| MC6S 8 x 100 | Skruv | Screw | Schraube |
| MF6S 5 x 20 | Skruv | Screw | Schraube |
| S6SS 6 x 6 | Skruv | Screw | Schraube |
| S6SS 6 x 10 | Skruv | Screw | Schraube |
| SK6SS 6 x 8 | Skruv | Screw | Schraube |
| T6SS 6 x 8 | Skruv | Screw | Schraube |
| T6SS 8 x 30 | Skruv | Screw | Schraube |
| RX 3 x 6 | Skruv | Screw | Schraube |
| PS 6x 70 | Skruv | Screw | Schraube |
| FZB 4,2 x 9,5 | Skruv | Screw | Schraube |
| FZB 4,2 x 15 | Skruv | Screw | Schraube |

3E8010J (S-30)
 3E8008J (S1=220)
 802-4-70 for S30ME (matn.)



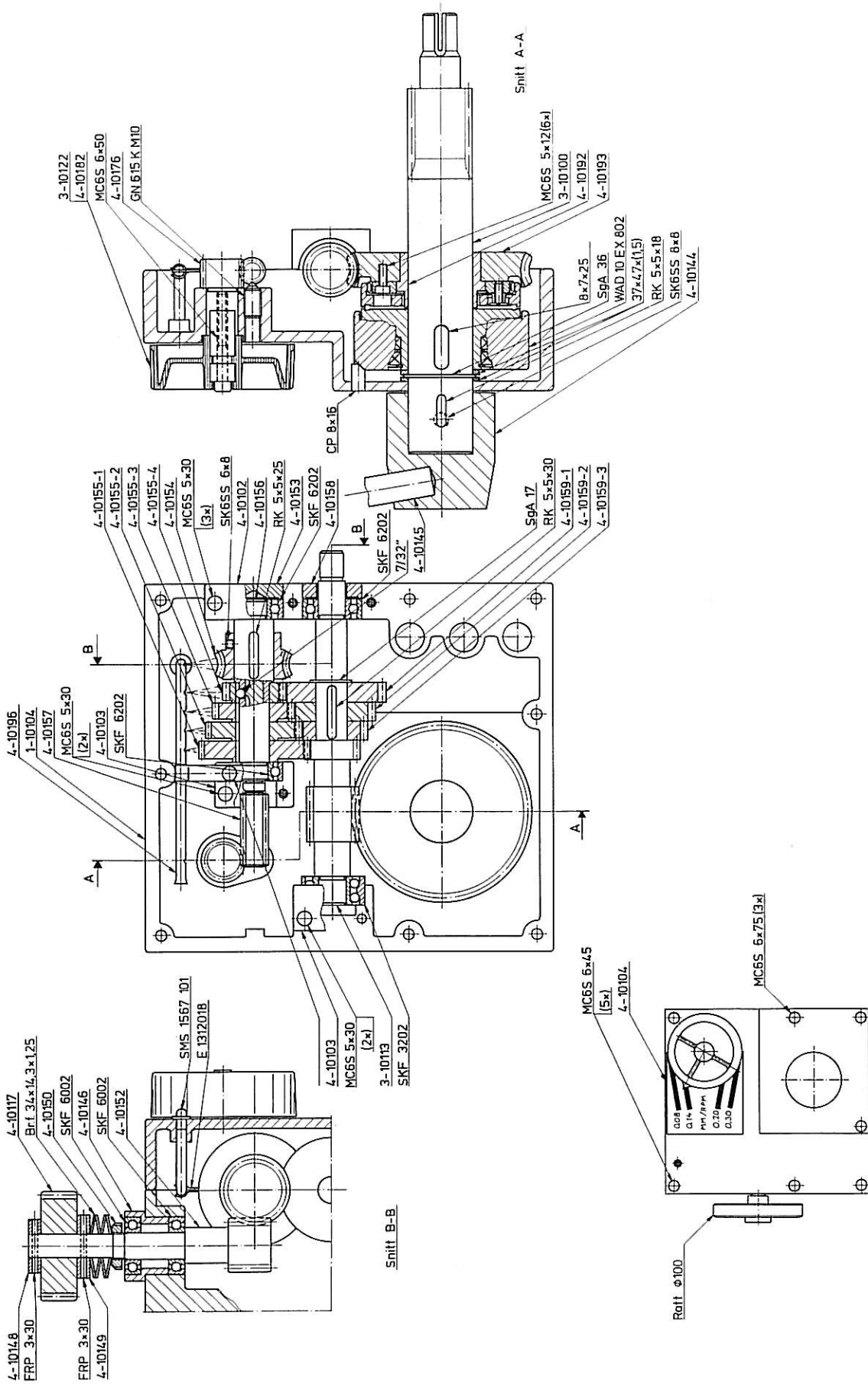
Snitt D-D

Snitt C-C

Snitt A-A

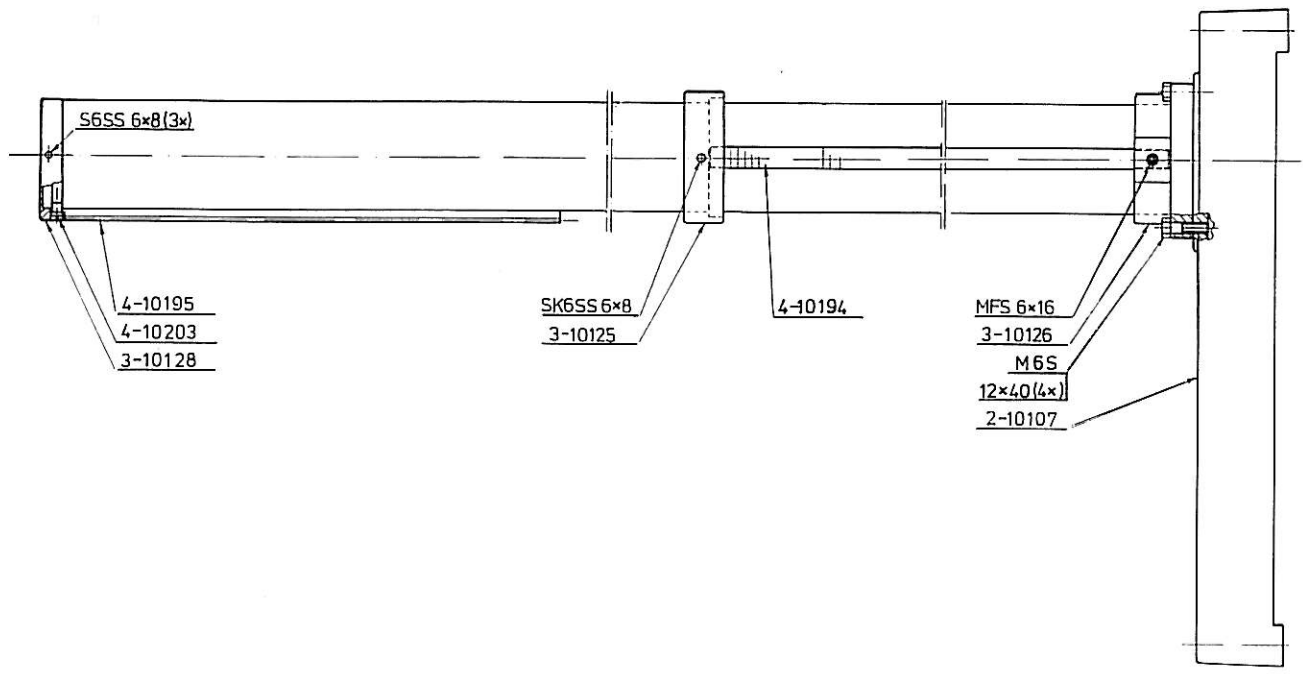
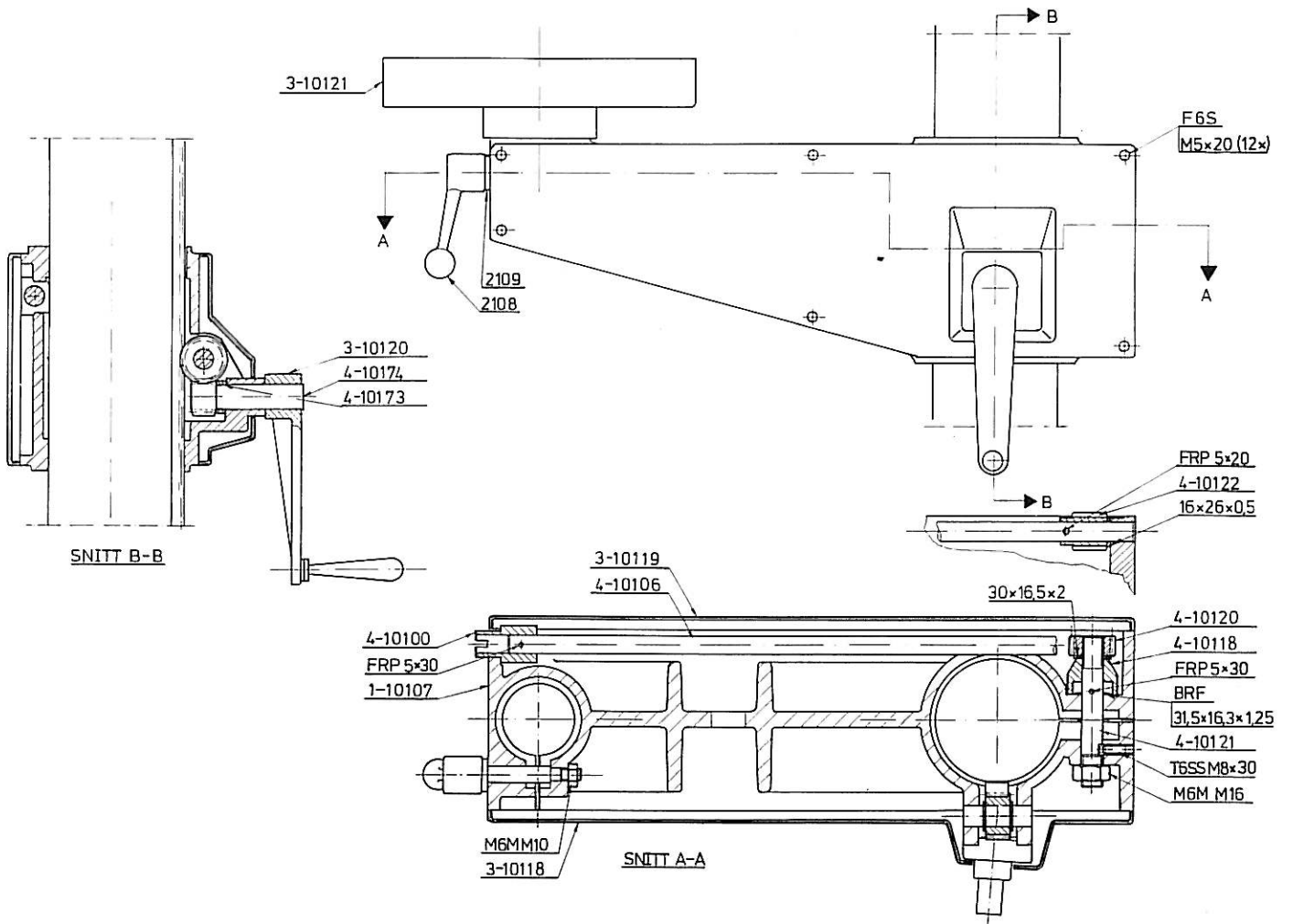
**RESERVDLSLISTA — SPARE PART LIST — ERSATZTEILLISTE
SPINDELDOCKA-AUT. MATNING — SPINDLE STOCK-AUT. FEED — SPINDELSTOCK-AUT. VORSCHUB**

| Art.nr. | Benämning | Part Name | Bezeichnung |
|------------------------|-----------------|----------------------|----------------------|
| 1-10 103 | Spindelocka | Spindle stock | Spindelstock |
| 2-10 104-2 | Lock | Cover | Deckel |
| 2-10 104-3 | Lock | Cover | Deckel |
| 2-10 106 | Skylt | Name plate | Schild |
| 2-10 109 | Käpa | Casing | Haube |
| 3-10 101 | Lagerhus | Bearing housing | Lagergehäuse |
| 3-10 106 | Motoraxel | Motor shaft | Motorwelle |
| 3-10 110 | Borrspindel | Drill spindle | Bohrspindel |
| 3-10 112 | Spindelhylsa | Spindle sleeve | Spindelhülse |
| 3-10 116 | Reflektor | Reflector | Schirm |
| 3-10 117 | Skyddsglas | Protection glass | Schutzglas |
| 4-10 100 | Hylsa | Sleeve | Hülse |
| 4-10 106-1 | Axel | Shaft | Welle |
| 4-10 106-2 | Axel | Shaft | Welle |
| 4-10 107 | Lagerlock | Bearing cover | Lagerdeckel |
| 4-10 109 | Styrhylsa | Guide sleeve | Führungshülse |
| 4-10 118 | Hylsa | Sleeve | Hülse |
| 4-10 119 | Kuggghjul 17Z | Gear 17Z | Zahnrad 17Z |
| 4-10 120 | Kuggghjul 17Z | Gear 17Z | Zahnrad 17Z |
| 4-10 121-1 | Axel | Shaft | Welle |
| 4-10 122 | Snäckskruv | Worm screw | Schneckenschraube |
| 4-10 123 | Axel | Shaft | Welle |
| 4-10 126 | Kuggghjul 17Z | Gear 17Z | Zahnrad 17Z |
| 4-10 130 | Plugg | Plug | Propfen |
| 4-10 131 | Drivkil | Driving key | Triebkeil |
| 4-10 132 | Rullagerlock | Roller bearing cover | Rollenlagerdeckel |
| 4-10 133 | Kuggstång | Rack | Zahnstange |
| 4-10 134 | Låsmutter | Locking nut | Sperrmutter |
| 4-10 137 | Ok | Yoke | Joch |
| 4-10 139 | Axel | Shaft | Welle |
| 4-10 140 | Hylsa | Sleeve | Hülse |
| 4-10 141 | Distansämne | Space ring | Distanzring |
| 4-10 142 | Ställskruv | Adjustment screw | Einstellungsschraube |
| 4-10 165 | Fläkt | Fan | Gebälse |
| 4-10 180 | Mutter | Nut | Mutter |
| 4-10 181 | Arm | Arm | Arm |
| 4-10 185 | Utdrivarhylsa | Push sleeve | Austriebungshülse |
| 4-10 187 | Distansring | Space ring | Distanzring |
| 4-10 188 | Skruv | Screw | Schraube |
| 4-10 189 | Bricka | Washer | Scheibe |
| 4-10 190 | Fäste | Holder | Halter |
| 2150 | Återgångsfjäder | Return spring | Rückgangfeder |
| 80/2-4-100 | Motor | Motor | Motor |
| 9783-1157 | Ratt | Hand wheel | Handrad |
| 8302-7076 | Knopp | Knob | Knopf |
| 66 312 95 | Glödlampa | Bulb | Lampe |
| 1025 82001 | Lamphållare | Lamp socket | Lampenfassung |
| BZ-2RQ-A2 | Brytare | Switch | Anlasser |
| RS 8 | Säkring | Seeger-lock washer | Seeger Sicherung |
| SgH 40 (J41 x 1,75) | Säkring | Seeger-lock washer | Seeger Sicherung |
| SKF 30206 | Kullager | Ball bearing | Kugellager |
| SKF 6203 2RS | Kullager | Ball bearing | Kugellager |
| SKF 6205 Z | Kullager | Ball bearing | Kugellager |
| RB 8 | Kula | Ball | Kugel |
| Ø 35 M10 | Kula | Ball | Kugel |
| RK 5 x 5 x 14 | Kil | Key | Keil |
| 7,75 x 1 x 12 | Fjäder | Spring | Feder |
| BRF 31,5 x 16,3 x 1,25 | Brickfjäder | Spring washer | Tellerfeder |
| 16,5 x 30 x 2 | Bricka | Washer | Scheibe |
| 16 x 26 x 0,5 | Bricka | Washer | Scheibe |
| FRP 3 x 17 | Rörpinne | Roll pin | Spannstift |
| FRP 5 x 20 | Rörpinne | Roll pin | Spannstift |
| FRP 5 x 30 | Rörpinne | Roll pin | Spannstift |
| SG 8 x 40 | Pinne | Pin | Stift |
| M6M 4 | Mutter | Nut | Mutter |
| ML6M 16 | Mutter | Nut | Mutter |
| MCS 3 x 30 | Skruv | Screw | Schraube |
| MC6S 4 x 12 | Skruv | Screw | Schraube |
| MC6S 5 x 8 | Skruv | Screw | Schraube |
| MC6S 6 x 16 | Skruv | Screw | Schraube |
| MC6S 6 x 40 | Skruv | Screw | Schraube |
| MC6S 8 x 12 | Skruv | Screw | Schraube |
| MC6S 8 x 90 | Skruv | Screw | Schraube |
| MC6S 8 x 100 | Skruv | Screw | Schraube |
| MF6S 5 x 20 | Skruv | Screw | Schraube |
| S6SS 6 x 6 | Skruv | Screw | Schraube |
| S6SS 6 x 10 | Skruv | Screw | Schraube |
| SK6SS 6 x 8 | Skruv | Screw | Schraube |
| T6SS 6 x 8 | Skruv | Screw | Schraube |
| T6SS 8 x 30 | Skruv | Screw | Schraube |
| FZB 4,2 x 9,5 | Skruv | Screw | Schraube |
| FZB 4,2 x 15 | Skruv | Screw | Schraube |
| RX 3 x 6 | Skruv | Screw | Schraube |
| PS 6 x 70 | Skruv | Screw | Schraube |



**RESERVDLSLISTA — SPARE PART LIST — ERSATZTEILLISTE
MATNINGSVÄXELLÅDA — FEED GEAR BOX — GETRIEBEKASTEN VOR SCHUB**

| Art.nr. | Benämning | Part Name | Bezeichnung |
|----------------------|-----------------|--------------------|-------------------|
| 1-10 104 | Växellåda | Gear box | Getriebekasten |
| 3-10 100 | Axel | Shaft | Welle |
| 3-10 113 | Matningsaxel | Feed shaft | Vorschubwelle |
| 3-10 122 | Ratt | Hand wheel | Handrad |
| 4-10 102 | Lagerbock | Bearing bracket | Lagerkonsole |
| 4-10 103 | Lagerbock | Bearing bracket | Lagerkonsole |
| 4-10 104 | Skyllt | Name plate | Schild |
| 4-10 117 | Kugghjul 28Z | Gear 28Z | Zahnrad 28Z |
| 4-10 144 | Spakfäste | Lever holder | Hebelhalter |
| 4-10 145 | Arm | Arm | Arm |
| 4-10 146 | Distanshylsa | Space sleeve | Distanzhülse |
| 4-10 148 | Friktionsbricka | Friction washer | Friktionsscheibe |
| 4-10 149 | Friktionsbricka | Friction washer | Friktionsscheibe |
| 4-10 150 | Mutter | Nut | Mutter |
| 4-10 151 | Lagerhylsa | Bearing sleeve | Lagerhülse |
| 4-10 152 | Snäckskruv | Worm screw | Schneckenschraube |
| 4-10 153 | Lagerlock | Bearing cover | Lagerdeckel |
| 4-10 154 | Snäckhjul 18Z | Worm wheel 18Z | Schneckenrad 18Z |
| 4-10 155-1 | Kugghjul 29Z | Gear 29Z | Zahnrad 29Z |
| 4-10 155-2 | Kugghjul 25Z | Gear 25Z | Zahnrad 25Z |
| 4-10 155-3 | Kugghjul 21Z | Gear 21Z | Zahnrad 21Z |
| 4-10 155-4 | Kugghjul 15Z | Gear 15Z | Zahnrad 15Z |
| 4-10 156 | Kopplingsaxel | Clutch shaft | Kupplungswelle |
| 4-10 157 | Växelförare | Gear shifter | Getriebeführer |
| 4-10 158 | Lagerlock | Bearing cover | Lagerdeckel |
| 4-10 159-1 | Kugghjul 28Z | Gear 28Z | Zahnrad 28Z |
| 4-10 159-2 | Kugghjul 28Z | Gear 28Z | Zahnrad 28Z |
| 4-10 159-3 | Kugghjul 18Z | Gear 18Z | Zahnrad 18Z |
| 4-10 176 | Kugghjul 12Z | Gear 12Z | Zahnrad 12Z |
| 4-10 192 | Lagerhylsa | Bearing sleeve | Lagerhülse |
| 4-10 193 | Snäckhjul 48Z | Worm wheel 48Z | Schneckenrad 48Z |
| 4-10 196 | Smörjrör | Grease pipe | Schmierrohre |
| WAD 10 EX 802 | Koppling | Clutch | Kupplung |
| Ratt Ø 100 | Ratt | Hand wheel | Handrad |
| BRF 34 x 14,3 x 1,25 | Brickfjäder | Spring washer | Tellerfeder |
| SMS 1567 101 | Smörjnippel | Lubricator | Schmiernippel |
| E 1312018 | Klammer | Clip | Klammer |
| SKF 3202 | Kullager | Ball bearing | Kugellager |
| SKF 6002 | Kullager | Ball bearing | Kugellager |
| SKF 6202 | Kullager | Ball bearing | Kugellager |
| 8 x 7 x 25 | Kil | Key | Keil |
| RK 5 x 5 x 18 | Kil | Key | Keil |
| RK 5 x 5 x 25 | Kil | Key | Keil |
| RK 5 x 5 x 30 | Kil | Key | Keil |
| 7/32" | Stålkula | Steel ball | Stahlkugel |
| 37 x 47 x (1,5) | Bricka | Washer | Scheibe |
| SgA 17 | Säkring | Seeger-lock washer | Seeger Sicherung |
| SgA 36 | Säkring | Seeger-lock washer | Seeger sicherung |
| FRP 3 x 30 | Rörpinne | Roll pin | Spannstift |
| CP 8 x 16 | Cyl.pinne | Parallel pin | Zylinderstift |
| GN 615 K M10 | Lägestapp | Position pin | Lagerzapfen |
| MC6S 5 x 12 | Skruv | Screw | Schraube |
| MC6S 5 x 30 | Skruv | Screw | Schraube |
| MC6S 6 x 45 | Skruv | Screw | Schraube |
| MC6S 6 x 50 | Skruv | Screw | Schraube |
| MC6S 6 x 75 | Skruv | Screw | Schraube |
| SK6SS 6 x 8 | Skruv | Screw | Schraube |
| SK6SS 8 x 8 | Skruv | Screw | Schraube |



**RESERVDLSLISTA — SPARE PART LIST — ERSATZTEILLISTE
BORDARM OCH PELARE — TABLE ARM AND COLUMN — TISCHARM UND SÄULE**

| Art.nr. | Benämning | Part Name | Bezeichnung |
|------------------------|--------------------------------------|--|--------------------------------------|
| 1-10 107 | Bordarm | Table arm | Tischarm |
| 2-10 107 | Fotplatta med T-spår och oljerand | Base plate with T-slots and oil grove | Fussplatte mit T-Nuten und Ölrand |
| 3-10 118 | Kåpa | Casing | Haube |
| 3-10 119 | Kåpa | Casing | Haube |
| 3-10 120 | Vev | Crank | Kurbel |
| 3-10 121 | Bord med T-spår och oljerand | Table with T-slots and oil grove | Tisch mit T-Nuten und Ölrand |
| 3-10 125 | Stoppring | Stop ring | Sperring |
| 3-10 126 | Pelarring | Column ring | Säulenring |
| 3-10 128 | Pelarlock | Column cover | Säulendeckel |
| 4-10 100 | Hylsa | Sleeve | Hülse |
| 4-10 106 | Axel | Shaft | Welle |
| 4-10 118 | Hylsa | Sleeve | Welle |
| 4-10 120 | Kugghjul 17Z | Gear 17Z | Zahnrad 17Z |
| 4-10 121 | Axel | Shaft | Welle |
| 4-10 122 | Snäckskruv | Worm screw | Schneckenschraube |
| 4-10 173 | Distansring | Space ring | Distanzring |
| 4-10 174 | Snäckskruv | Worm screw | Schneckenschraube |
| 4-10 194 | Kuggstång | Rack | Zahnstange |
| 4-10 195 | Kuggstång | Rack | Zahnstange |
| 4-10 203 | Plugg | Plug | Propfen |
| 2108 | Låsspak | Locking lever | Sperrhebel |
| 2109 | Bricka | Washer | Scheibe |
| M6S 12 x 40 | Skruv | Screw | Schraube |
| MFS 6 x 16 | Skruv | Screw | Schraube |
| S6SS 6 x 8 | Skruv | Screw | Schraube |
| SK6SS 6 x 8 | Skruv | Screw | Schraube |
| 16 x 26 x 0,5 | Bricka | Washer | Scheibe |
| 16,5 x 30 x 2 | Bricka | Washer | Scheibe |
| BRF 31,5 x 16,3 x 1,25 | Brickfjäder | Spring washer | Tellerfeder |
| FRP 5 x 20 | Rörpinne | Roll pin | Spannstift |
| FRP 5 x 30 | Rörpinne | Roll pin | Spannstift |
| M6M 10 | Mutter | Nut | Mutter |
| M6M 16 | Mutter | Nut | Mutter |
| F6S 5 x 20 | Skruv | Screw | Schraube |
| T6SS 8 x 30 | Skruv | Screw | Schraube |