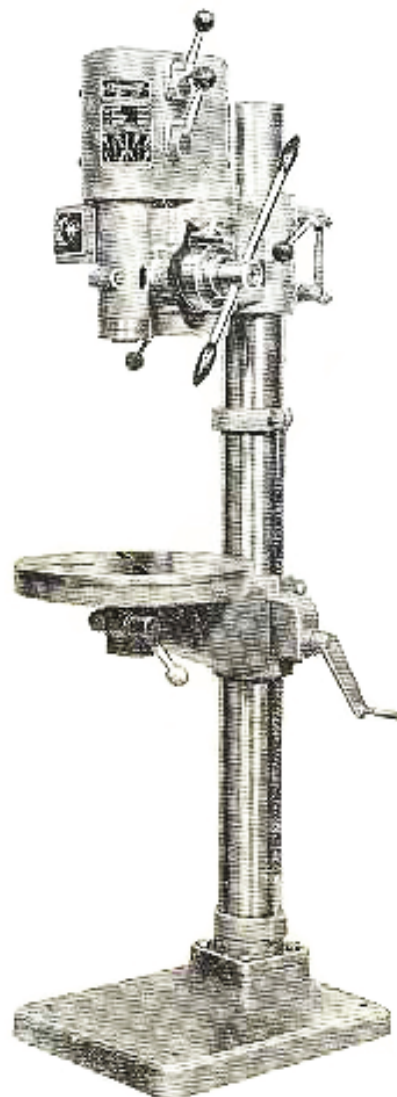


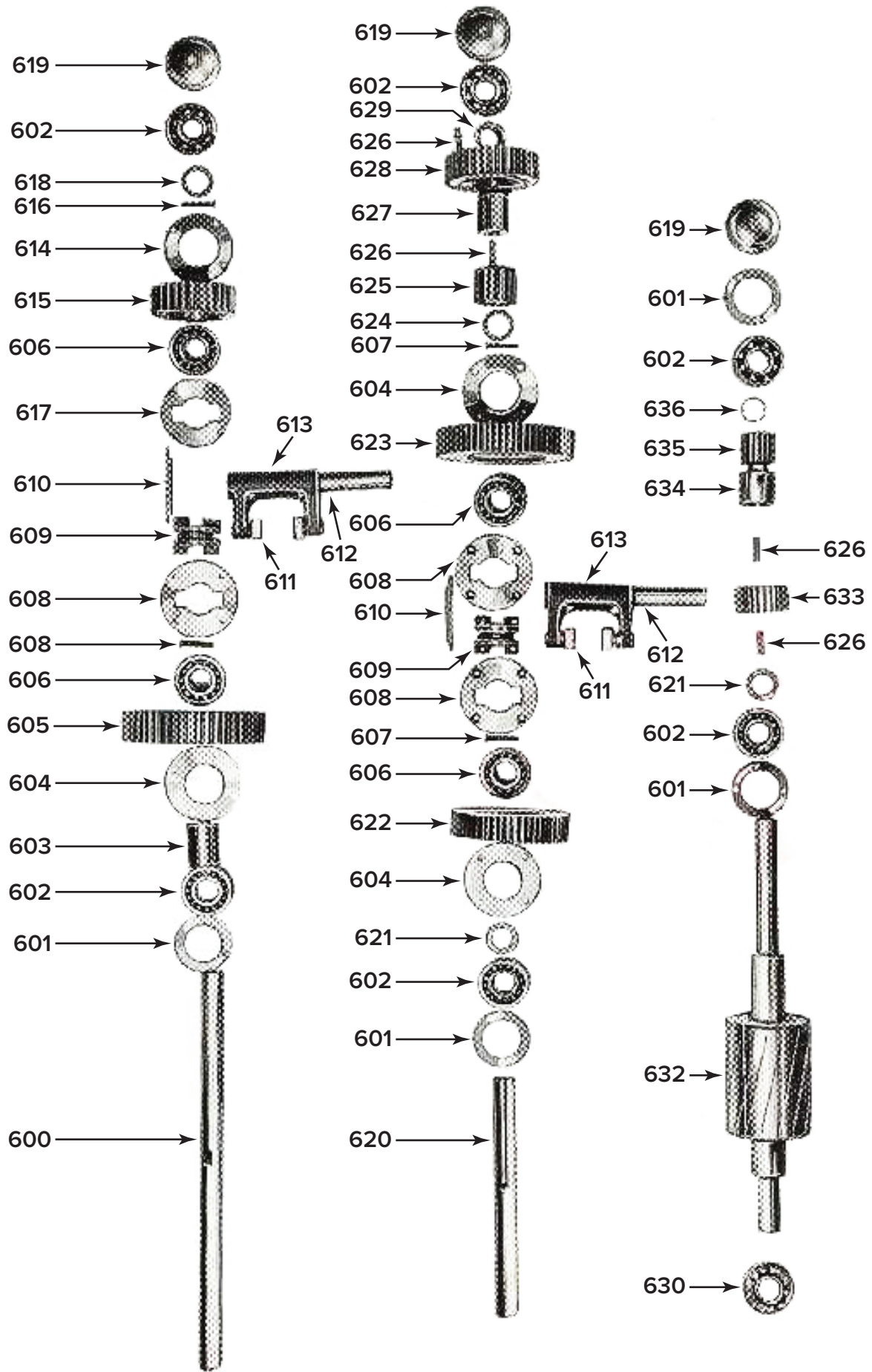
# USER MANUAL & SPARES

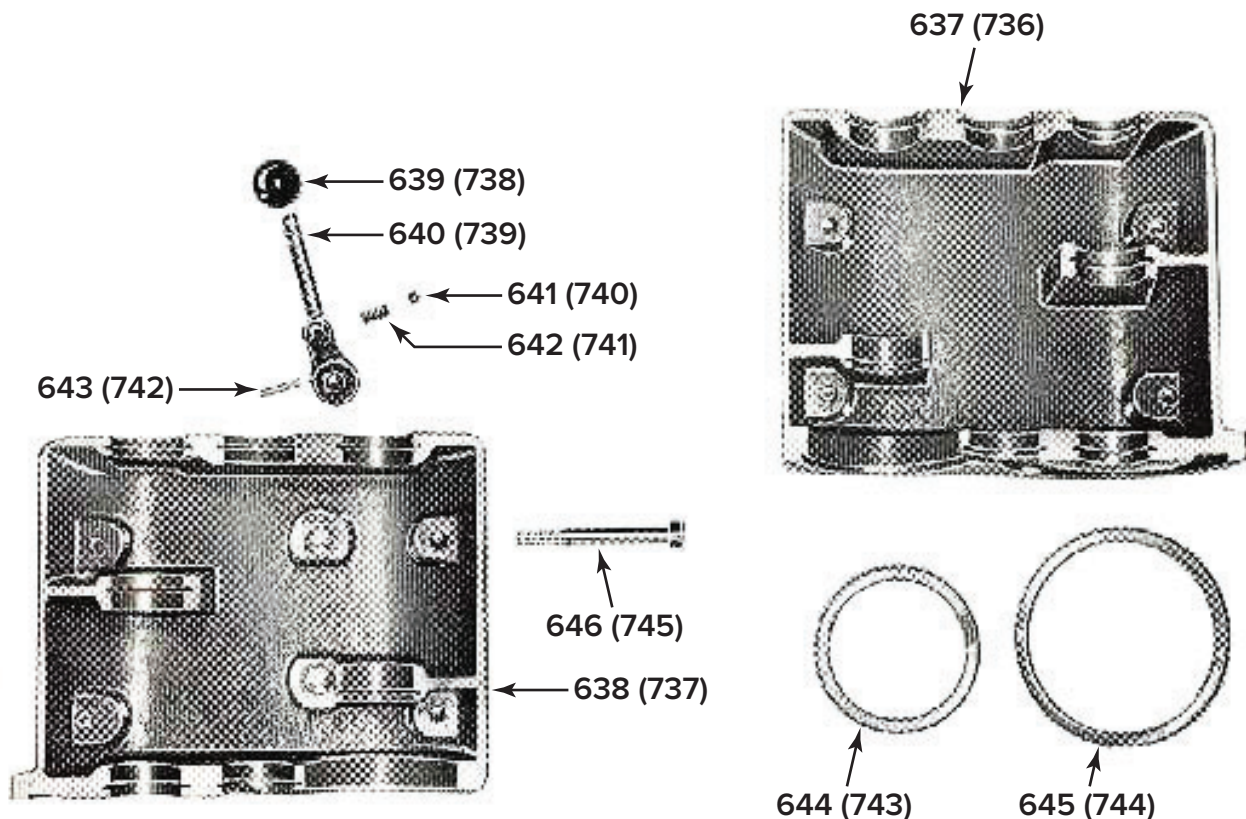
for

## S-53



A.B.  
**STRANDS**  
MEK. VERKSTAD  
ROSENFORS  
SWEDEN

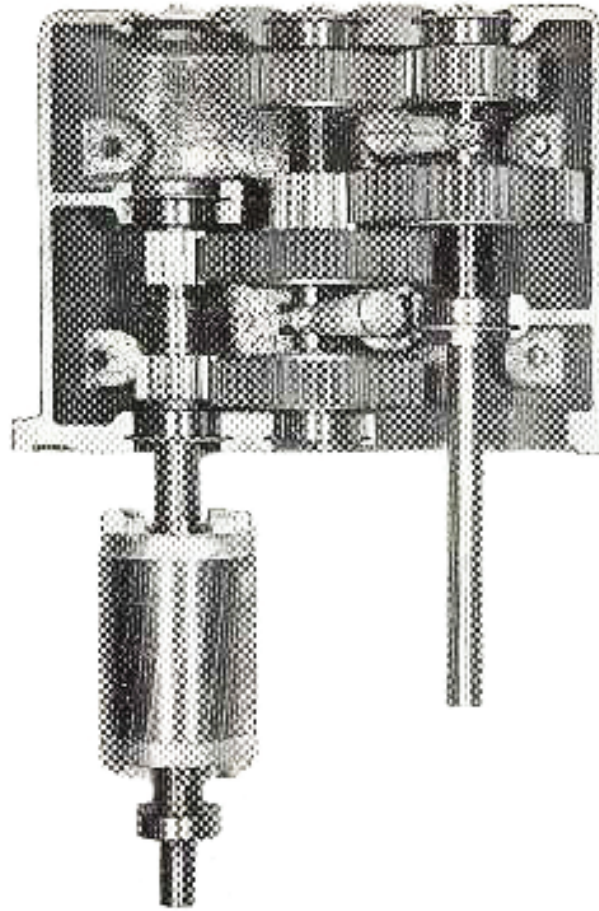




## GEAR BOX

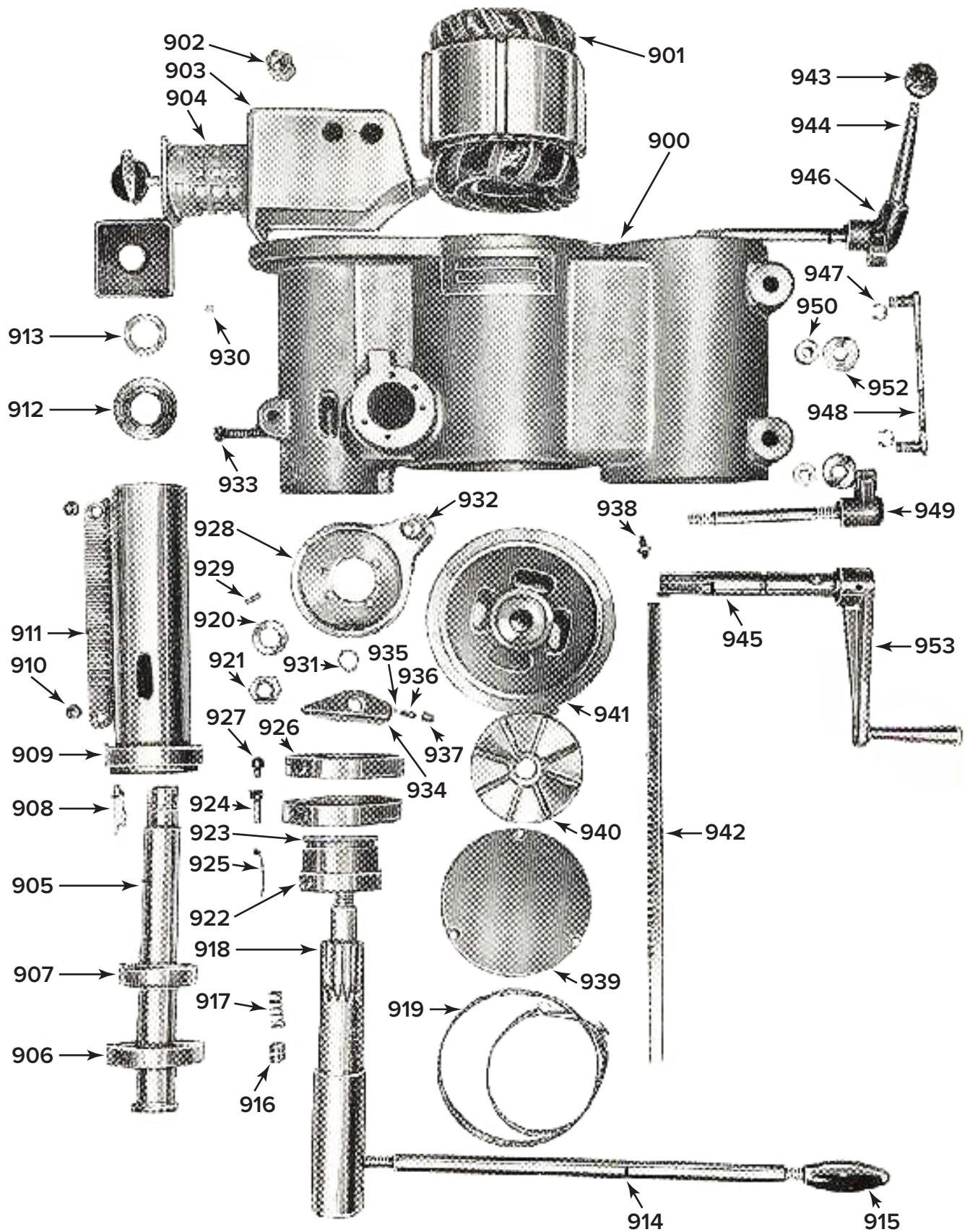
600	Spindle shaft	627	Distance ring 29 mm
601	Guide ring	628	Gear wheel 37 Z fibre with bushing
602	Ball bearing 6203	629	Distance ring 4 mm
603	Distance ring 34 mm	630	Ball bearing 6203 2 RS
604	Rivet washer 60 mm	631	Motor shaft
605	Gear wheel 51 Z fibre	632	Gear wheel 51 Z fibre
606	Ball bearing 4203	633	Gear wheel 17 Z steel, 100-1360 revs. 29 Z steel, 105-3020 revs. 29 Z steel, 250-2930 revs.
607	Rivet 4 mm	634	Distance ring 36 mm, 250-2930 revs.
608	Clutch plate	635	Gear wheel 16 Z steel, 100-1360 revs. 16 Z steel, 105-3020 revs. 23 Z steel, 250-2930 revs.
609	Clutch shoulder	636	Distance ring 2 mm, 100-1360 revs. 2 mm, 105-3020 revs. 2 mm, 250-2930 revs.
610	Insertion wedge 44 mm	637	Gear box, left part
611	Guide seal	638	Gear box, right part
612	Gear lever shaft	639	Machine ball 25 mm
613	Clutch yoke	640	Gear control lever
614	Rivet washer 54 mm	641	Steel ball
615	Gear wheel 30 Z steel	642	Spring
616	Rivet 3 mm	643	Clamp pin
617	Clutch plate 54 mm	644	Guide ring $\varnothing$ 100 mm
618	Distance ring 3 mm	645	Guide ring $\varnothing$ 131 mm
619	Cover with grease fitting	646	Screw EC6S 118x90 mm
620	Intermediary shaft		
621	Distance ring 5 mm		
622	Gear wheel 46 Z fibre, 100-1360 revs. 34 Z fibre, 105-3020 revs. 34 Z fibre, 250-2930 revs.		
623	Gear wheel 68 Z fibre, 100-1360 revs. 68 Z fibre, 105-3020 revs. 40 Z fibre, 250-2930 revs.		
624	Distance ring 3 mm		
625	Gear wheel 16 Z steel		
626	Insertion wedge 20 mm		

When ordering, please state type of machine and speed series.



## FRAME

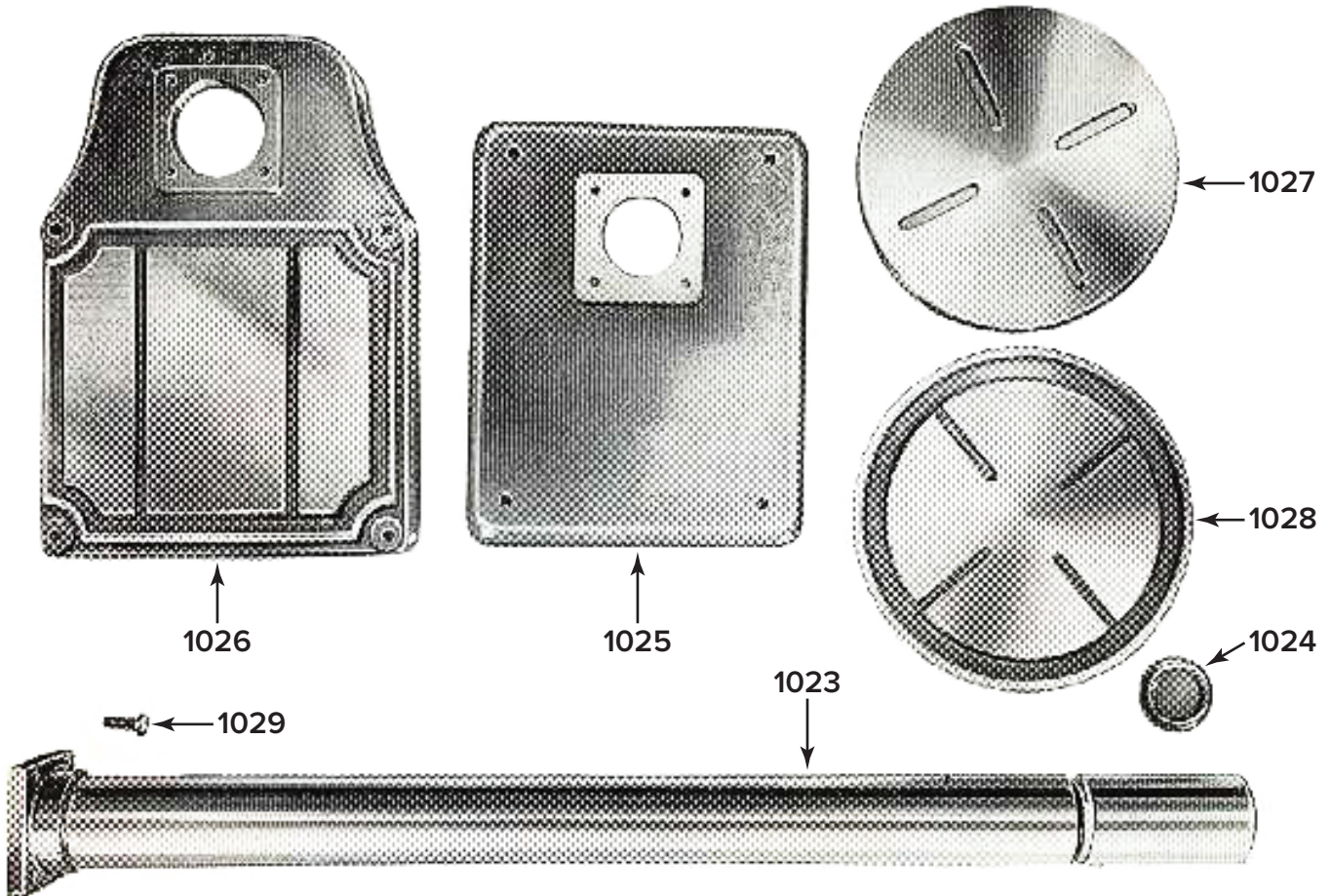
900	Frame	923	Support for scale ring
901	Stator	924	Screw EC6S, M6x10 mm
902	Seal sleeve	925	Flat spring
903	Switch cover	926	Scale ring
904	Switch	927	Screw EC6S, M6x10 mm
905	Spindle drill	928	Spring housing
906	Roller bearing cover	929	Taper pin
907	Roller bearing 30206	930	Grease fitting
908	Chasing wedge	931	Seeger lock Sg A 15
909	Spindle sleeve	932	Axle for stop lugs
910	Screw DIN 7984, M8x12	933	Screw EC6S, M8x50
911	Rack	934	Stop lug
912	Ball bearing 6205 z	935	Steel ball
913	Locking nut	936	Spring
914	Spindle feed lever	937	Screw P655, M8x8
915	Handle for feed lever	938	Screw I655, M6x19
916	Spring plug for down-feed lever	939	Protective shield
917	Spring for ditto	940	Fan
918	Gear arm	941	Bearing bracket
919	Return spring	942	Rack for frame lift
920	Washer	943	Machine ball
921	Nut M16	944	Handle
922	Screw P655, M8x8	945	Gear arm for frame lift



### FRAME (CONT'D)

- 946 Support for locking lever
- 947 Seeger lock RS 8
- 948 Locking link with journals
- 949 Locking arm

- 950 Nut 3/8"
- 951 Stud bolt 127 mm
- 952 Washer
- 953 Crank



## TABLE ARM and PILLAR

1000	Table arm	1015	Stud bolt 135 mm
1001	Gear wheel 177	1016	Support for locking lever
1002	Axle for ditto	1017	Arm for ditto
1003	Worm screw	1018	Machine ball
1004	Distance ring	1019	Set collar
1005	Crank	1020	Screw EC6S M8x30
1006	Grease fitting	1021	Rack
1007	Ball handle	1022	Pillar ring
1008	Washer for ditto	1023	Pillar
1009	Stud bolt 105 mm	1024	Pillar cover
1010	Nut 3/8"	1025	Base plate
1011	Locking link wth journals	1026	Base plate with T-slots & oil groove
1012	Seeger lock RS 8	1027	Table
1013	Locking arm	1028	Table with T-slots & oil groove
1014	Washer for ditto	1029	Bolt M12x40

