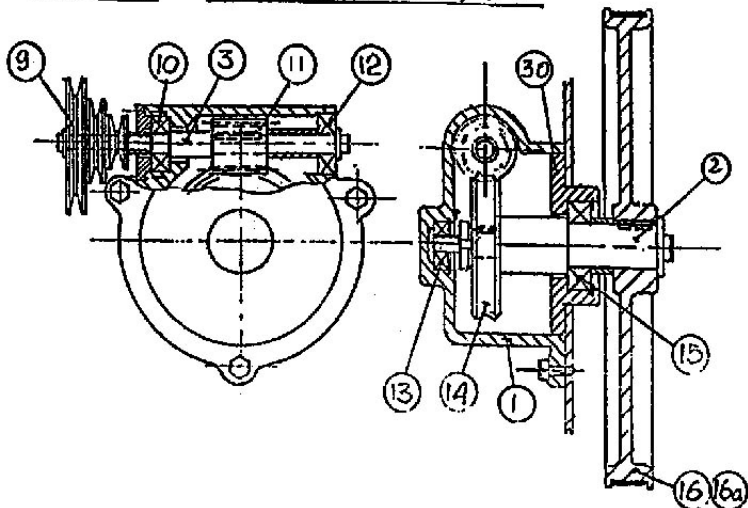


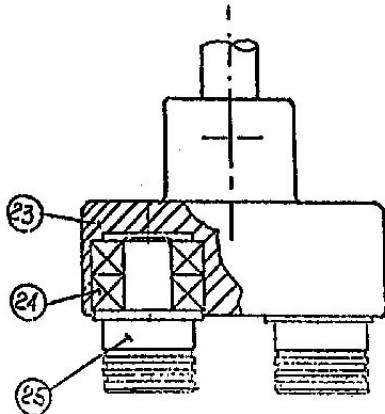
Item

Description

1	Gearbox Assembly
2	Slide Assembly
3	Saw Guide Assembly
4	Roll Assembly
5	Plastic Ball
6	Index
7	Kiter Block Support
8	Clamp

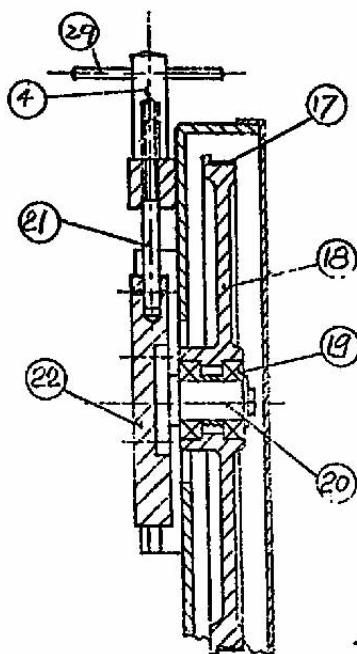
VERTICUTGEAR BOX ASS'Y #1.

<u>Item</u>	<u>Description</u>
9	Pulley
10	Bearing
11	Worm Gear
12	Bearing
13	Bearing
14	Bronze Gear
15	Bearing
16	Bottom Wheel
16A	Rubber Band
1	Gear Box
2	Drive Axle Shaft
3	Driven Shaft
30	Bearing Housing



VERTICUT
SAWGUIDE ASSY #3

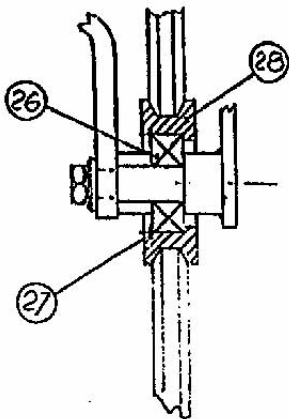
<u>Item</u>	<u>Description</u>
23	Bearing Housing
24	Ball Bearing
25	Roll



VERTICUT

SLIDE ASS'Y #2

<u>Item</u>	<u>Description</u>
17	Rubber Pad
18	Wheel
19	Ball Bearing
20	Shaft
21	Screw
22	Adjusting Plate
4	Tension Adj. Nut
29	Handle



VERTICUT
ROLL ASS'Y #4

<u>Item</u>	<u>Description</u>
26	Ball Bearing
27	Retainer
28	Roll