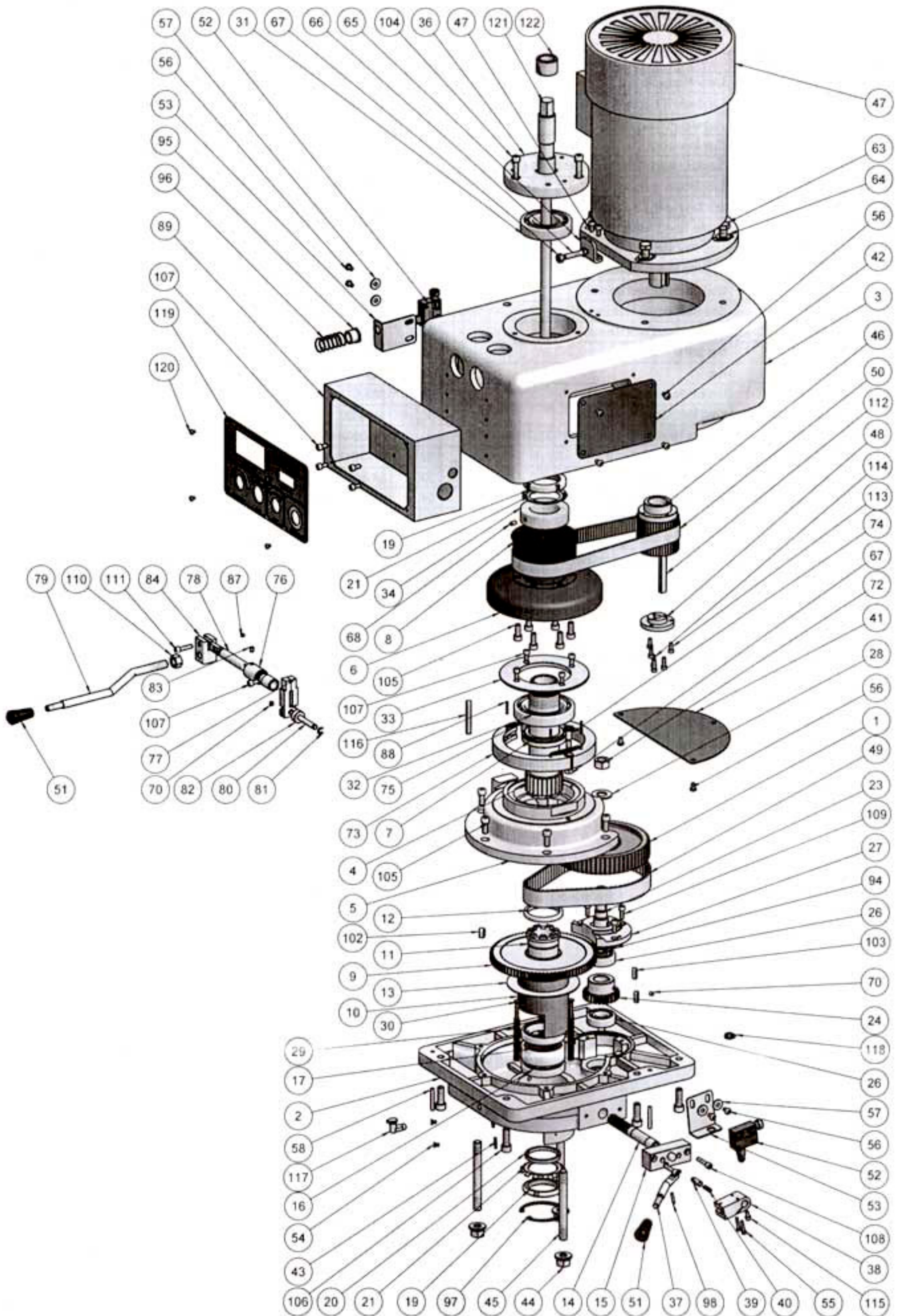


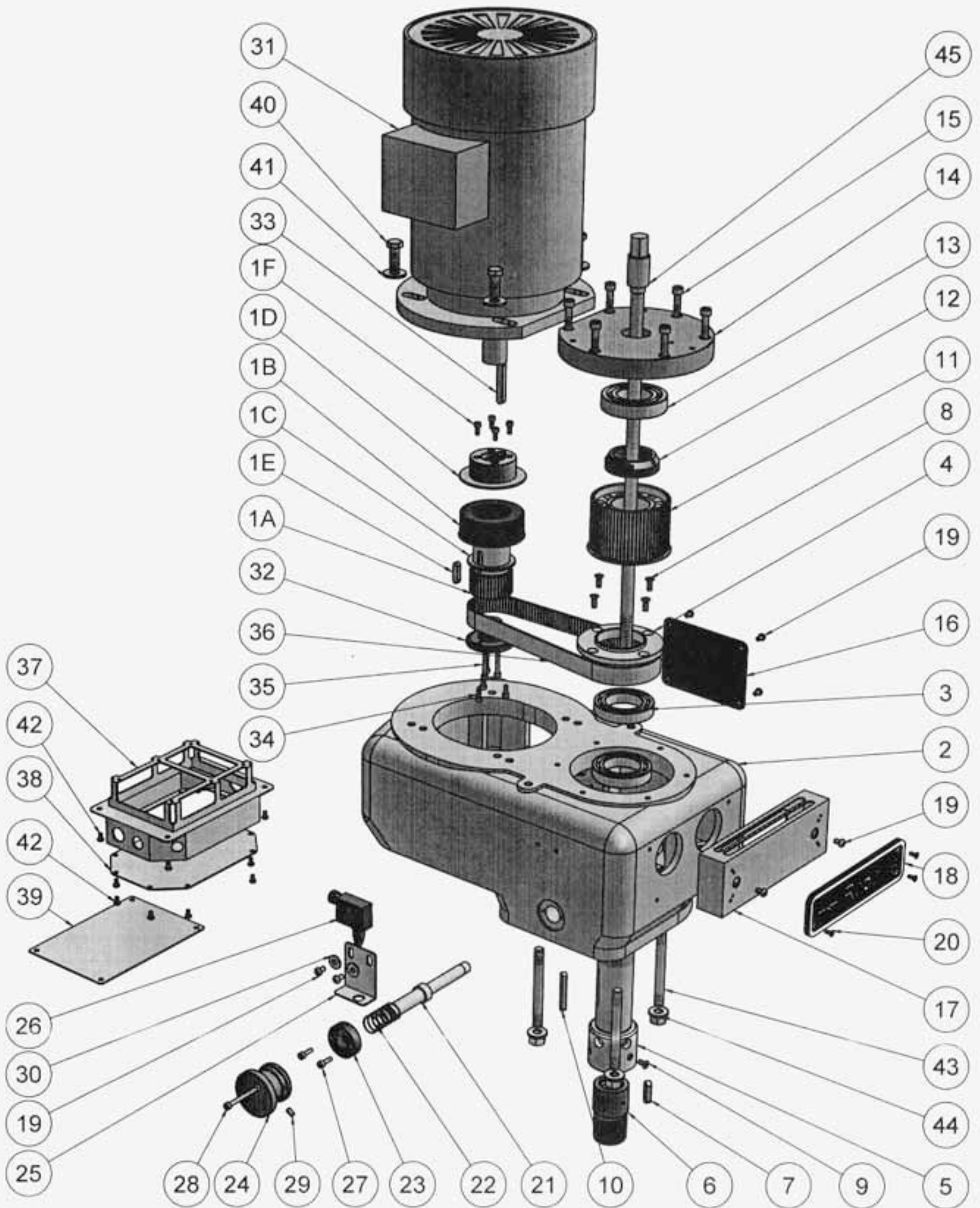
5VKF TW-40QI HEAD TOP HOUSING OF INVERTER MOTOR TYPE



5VKF TW-40QI HEAD TOP HOUSING OF INVERTER MOTOR TYPE

ITEM N	PARTS NO.	DESCRIPTION	ITEM N	PARTS NO.	DESCRIPTION
1	5K-7086	Timing Belt Pulley	64	011-M0000012	Washer(M12)(4Req)
2	5K-8063	Gear Housing	65	TRH-8005	
3	TRH-6013	Belt Housing	66	007-M0800035	Hex Jam Screw(M8*35)
4	5K-6040	Spindle Pulley Hub	67	009-M0000008	Hex Jam Nut(M8)(2Req)
5	5K-8053	Belt Housing Base	68	008-M0600010	Set Screw(M6*10)
6	5B-6048B	Brake Wheel	70	008-M0600006	Set Screw(M6*6)(2Req)
7	5K-8033	Spindle Pulley Spacer	72	009-I00000005	Hex Jam Nut(5/8)
8	5B-6048A	Spindle Timing Belt Pulley	73	5K-8032	Brake Shoe Assembly
9	5K-7040	Spindle Bull Gear Assembly	74	5K-8036	Brake Shoe Pivot Sleeve
10	5K-7057	Bearing Sleeve	75	5K-8031	Brake Spring(2Req)
11	5K-7039	Spindle Gear Hub	76	5K-8073	Sleeve For Brake Lock Shaft
12	5K-7038	Timing Pulley Clutch Sleeve	77	5K-8067	Brake Finger Pivot Stud(2Req)
13	5K-7048	Ball Bearing Gear Sleeve Washer	78	5K-8074	Brake Lock Shaft
14	5K-7059	Bull Gear Shaft Pinion	79	5K-8070	Brake Lock Handle
15	5K-7060	Hi-Low Detent Plate	80	5K-8068	Brake Operating Finger
16	020-006910ZZ	Ball Bearing(6910#)(2Req)	81	015-E0000006	Snap Ring (E6)
17	5K-7043-7044	Ball Bearing Spacer	82	5K-8068-1	Washer
19	5K-7056	Bearing Locknut	83	008-M0600008	Set Screw(M6*8)
20	5K-7057-2	Washer	84	5K-8071	Brake Lock Handle
21	035-000AW10	Lock Washer(AW10#)(2Req)	87	008-M0500005	Set Screw(M5*5)
23	5K-7080	Gear Shaft	88	014-00300022	Roll Pin(3*22)(4Req)
24	5K-7083	Bull Gear Pinion	89	7005I-1	Pendant Box
26	020-006204ZZ	Ball Bearing(6204#)(2Req)	94	017-BWW006204	Wave Spring Washer(BWW-6204)
27	5K-7084	Ball Bearing Housing	95	5B-8071-1	Nut
28	011-I00000005	Washer(5/8)	96	5A-2029	Spring
29	5K-7055	Compression Spring(3Req)	97	015-0000R072	Snap Ring (R72)
30	7055-1	Adjust Pin(3Req)	98	014-00400022	Roll Pin(4*22)
31	020-06209LLB	Ball Bearing(6209#)	102	013-1008R015	Key(10*8*14.5)
32	020-06013LLB	Ball Bearing(6013#)	103	013-06060020	Key(6*6*20)(2Req)
33	5K-8029	Brake Bearing Cap	104	001-M0800040	Socket Cap Screw(M8*40)(3Req)
34	5K-6040-1	Washer	105	001-M0800020	Socket Cap Screw(M8*20)(11Req)
36	5K-7013	Top Bearing Cap	106	001-M1000030	Socket Cap Screw(M10*30)(6Req)
37	5K-7070	Hi-Low Shift Crank	107	001-M0600012	Socket Cap Screw(M6*12)(11Req)
38	5K-7071	Hi-Low Pinion Block	108	001-M0600030	Socket Cap Screw(M6*30)(2Req)
39	5K-7066	Hi-Low Detent Plunger	109	001-M0600016	Socket Cap Screw(M6*16)(3Req)
40	5K-7067	Spring	110	009-I00000050	Nut(1/2")
41	TRH-6013-1	Cover	111	001-M0600025	Socket Cap Screw(M6*25)
42	6013I-2	Cover	112	013-10080070	Key(10*8*70)
43	7051	Guib For Clutch Bracket(2Req)	113	001-M0500012	Socket Cap Screw(M5*12)(3Req)
44	5K-7061	Nut(1/2)(3Req)	114	001-M0500016	Socket Cap Screw(M5*16)(3Req)
45	5K-7063	Studs(3Req)	115	001-M0500010	Socket Cap Screw(M5*10)
46	5B-6009	Motor Timing Pulley(5GT-44T)	116	013-08070060	Key(8*7*60)
46	5B-6009-55T	Motor Timing Pulley(5GT-55T)	117	037-00000010	Oil Cap(1/8")
47	5BI-6001-5HP	5HP-Inverter Motor	118	036-00000010	Grease Nipple(1/8")
48	TA-4040A	Pulley Washer	119	7005I-2-K	Pendant Plate
49	023-8M060029	Timing Belt(8M-600-29)	119	7005I-2	Pendant Plate
50	023-5GT720025	Timing Belt(5GT-720-25)	120	006-M04000005	Chen Blocked RD.HD.Scerw(M4*5)(4Req)
50	023-5GT740025	(66T-55T)-Timing Belt(5GT-740-25)	121	5K-6031-M	Darwbar For M/M NT40# Type
51	3H-8069	Bakelite Ball Handle(2Req)	121	5K-6031-I	Darwbar For Inch NT40# Type
52	022-00000005	Limite Switch(D4E-1A20N)(2Req)	121	5K-6031-MBT	Darwbar For M/M BT40# Type
53	3B-7071-1	Limit Switch Bracket(2Req)	121	5K-6031-ICAT	Darwbar For Inch cat40# Type
54	005-M0500012	Flat HD Socket Cap Screw(2Req)	121	5K-6031P-M	For M/M NT40# Power Darwbar Type
55	001-M0400020	Socket Cap Screw(M4*20)(2Req)	121	5K-6031P-I	For Inch NT40# Power Darwbar Type
56	002-M0600010	Socket Cap Screw(M6*10)(11Req)	121	5K-6031P-MBT	For M/M BT40# Power Darwbar Type
57	011-M0000006	Washer(4Req)	121	5K-6031P-ICAT	For Inch CAT40# Power Darwbar
58	016-T05000040	Taper Pin(2Req)	122	5K-8020	Plastic Insert
63	007-M1200040	Hex Jam Screw(M12*40)(4Req)			

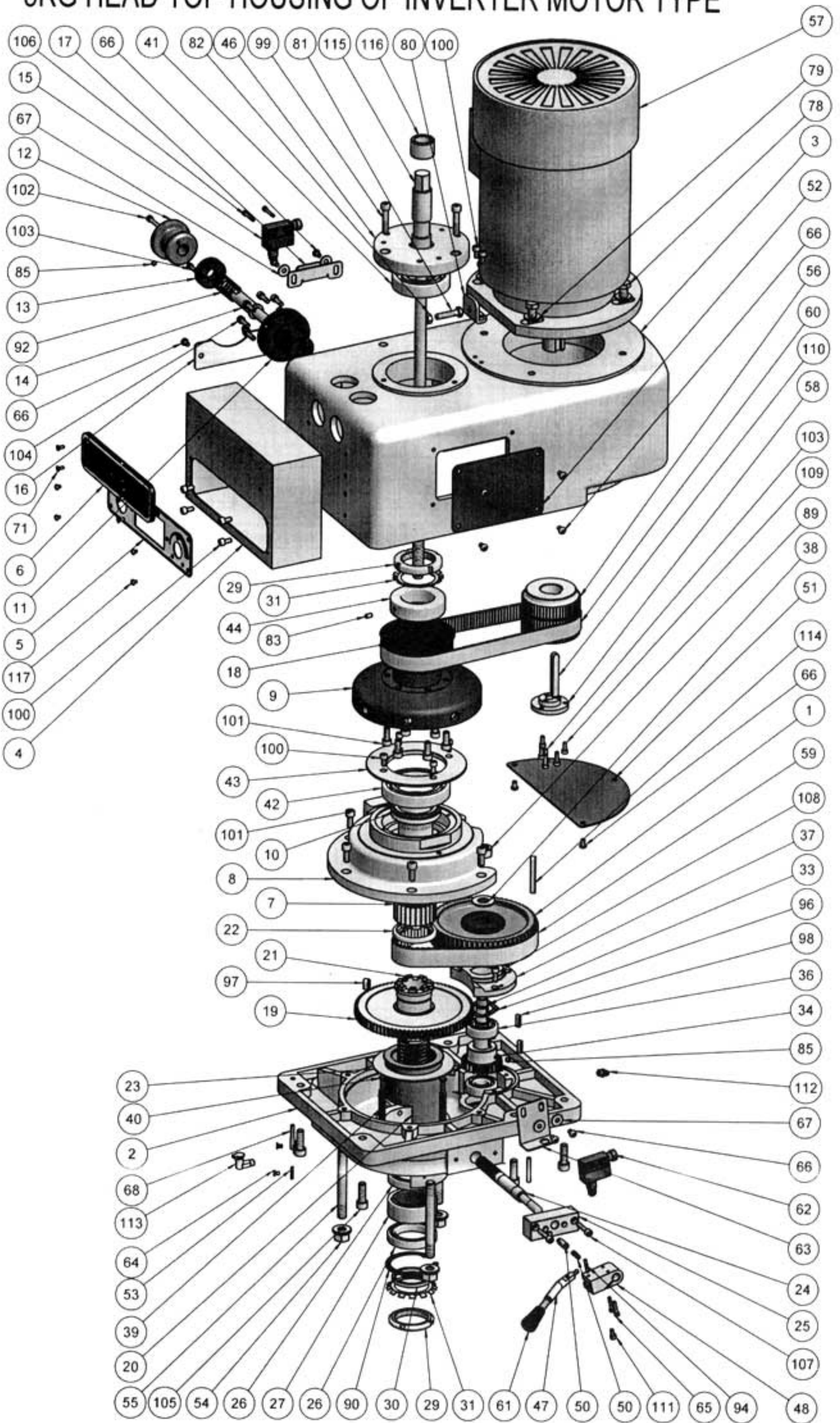
5-GL HEAD TOP HOUSING



5-GL HEAD TOP HOUSING

ITEM NO.	PARTS NO.	DESCRIPTION
1A	TRH-6009A(5GT-37T)	Low Speed Motor Timing Pulley
1B	TRH-6009B(5GT-55T)	Hi Speed Motor Timing Pulley
1C	TRH-6009C	Washer
1D	TRH-6009D	Timing Pulley Clutch Sleeve
1E	013-08070030	Key(8*7*30)
1F	001-M0500012	Socket Head Cap Screw(M5*12)(4Req)
2	5K-6013F	Belt Housing
3	020-06010LLB	Bearing(6010LLB)(2Req)
4	TRH-8053-1	Bearing Retainer Ring
5	TRH-8034	Spindle Pulley Hob
6	7039Q	Spindle-Worm Hub
7	013-10080035	Key(10*8*35)
8	003-M0600016	Socket Head Cap Screw(M6*16)(4Req)
9	003-M0600012	Socket Head Cap Screw(M6*12)(3Req)
10	013-08070060	Key(8*7*60)
11	TRH-6048H(5GT-66T)	Spindle Timing Pulley
12	021-0000MF50	Lock Nut(MF50-P1.5)
13	020-06209LLB	Bearing(6209LLB)
14	5K-7013F	Top Bearing Cap
15	001-M0800040	Socket Head Cap Scerw(M8*40)(6Req)
16	6013I-2	Cover
17	TRH-6013-2	Ventilation Housing
18		Name Plate
19	002-M0600010	Socket Head Cap Screw(M6*10)(8Req)
20	003-M0400008	Socket Head Cap Screw(M4*8)(4Req)
21	TR-8074	Locking Pin
22	5A-2029	Spring
23	TR-8074-2	Fixed Position Block
24	TR-8074-1	Fixed Position Handle
25	3B-7071-1	Limit Switch Bracket
26	022-00000006	Limit Switch(D4E-1B20N)
27	001-M0500016	Socket Head Cap Screw(M5*16)(2Req)
28	001-M0500050	Socket Head Cap Screw(M5*50)
29	008-M0600010	Set Screw(M6*10)
30	011-M0000006	Washer(M6)(2Req)
31	5BI-6001-5HP	5HP Inver Motor
32	TRH-6009E	Pulley Washer
33	013-1008R070	Key(10*8*70)
34	001-M0500012	Socket Head Cap Screw(M5*12)(3Req)
35	001-M0500035	Socket Head Cap Screw(M5*35)(3Req)
36	023-5GT720025	Timing Belt (5GT-720-25)
37	5K-6013F-1A	Inverter Framework
38	5K-6013F-1B	Cover
39	5K-6013F-3	Cover(For CNC Model)
40	007-M1200030	Hex.HD.Screw(M12*30)(4Req)
41	011-M0000012	Washer(M12)(4Req)
42	002-M0500010	Socket Head Cap Screw(M5*10)(12Req)
43	5K-7063	Stubs(3Req)
44	5K-7061	Nut(1/2-12UNB)(3Req)
45	5K-6031IG-M	Darwbar For M/M NT40# Type
45	5K-6031IG-I	Darwbar For Inch ISO-40# Type
45	5K-6031IG-MBT	Darwbar For BT40# Type
45	5K-6031IG-ICAT	Darwbar For CAT40# Type
45	5K-6031IGP-M	Power Darwbar For M/M NT40# Type
45	5K-6031IGP-I	Power Darwbar For Inch ISO-40# Type
45	5K-6031IGP-MBT	Power Darwbar For BT40# Type
45	5K-6031IGP-ICAT	Power Darwbar For CAT40# Type

5RG HEAD TOP HOUSING OF INVERTER MOTOR TYPE



5RG HEAD TOP HOUSING OF INVERTER MOTOR TYPE

ITEM NO.	PARTS NO.	DESCRIPTION	ITEM NO.	PARTS NO.	DESCRIPTION
1	5K-7086	Timing Belt Pulley(8M-63T)	58	TA-4040A	Pulley Washer
2	5K-8063	Gear Housing	59	023-8M060029	Timing Belt (8M-600-29)
3	TRH-6013-RG	Belt Houshing	60	023-5GT074025	Timing Belt(5GT-740-25)
4	5K-7005H	Pendant Box	61	3H-8069	Bakelite Ball Handle(2Req)
5	3F-7005	Pendant Plate	62	022-00000005	Limit Switch(D4E-1A20N)
6		Name Plate	63	3B-7071-1	Limit Switch Bracket
7	5K-6040	Spindle Pulley Hub(8M-25T)	64	005-M0500012	Flat HD Socket Cap Screw(M5*12)(2Req)
8	5K-8053	Belt Housing Base	65	001-M0400020	Socket Cap Screw(M4*20)(2Req)
9	5B-6048B-RG	Brake Wheel	66	002-M0600010	Socket Cap Screw(M6*10)(13Req)
10	5K-8033	Spindle Pulley Spacer	67	011-M0000006	Washer(M6)(4Req)
11	5G-8074	Locking Pin Block	68	016-T0500040	Taper Pin(5*40)(2Req)
12	TR-8074-1	Fixed Position Handle	71	003-M0400010	Socket Cap Screw(M4*10)(4Req)
13	TR-8074-2	Fixed Position Block	78	007-M1200040	Hex JamScrew(M12*40)(4Req)
14	5G-8074-1	Locking Pin	79	011-M0000012	Washer(M12)(4Req)
15	022-00000006	Limit Switch(D4E-1B20N)	80	TRH-8005	Fixed Block For ADJ. Plate
16	5G-8074-2	Cover	81	007-M0800035	Hex Jam Screw(M8*35)
17	5G-7071-1	Limit Switch Block	82	009-M0000008	Hex Jam Nut(M8)
18	5B-6048A	Spindle Timing Belt Pulley(5GT-66T)	83	008-M0600010	Set Screw(M6*10)
19	5K-7040	Spindle Bull Gear Assembly	85	008-M0600006	Set Screw(M6*6)(2Req)
20	5K-7057	Bearing Sleeve	89	009-IUNF0005	Hex Jam Nut(5/8)
21	5K-7039	Spindle Gear Hub	90	015-000R072	Snap Ring(R72)
22	5K-7038	Timing Pulley Clutch Sleeve	92	5A-2029	Spring
23	5K-7048	Ball Bearing Gear Sleeve Washer	94	014-00400022	Roll Pin(4*22)
24	5K-7059	Bull Gear Shaft Pinion	96	017-BVW06204	Wave Spring Washer(BVW6204)
25	5K-7060	Hi-Low Detent Plate	97	013-1008R015	Key(10*8*14.5)
26	020-006910ZZ	Ball Bearing(6910ZZ#)(2Req)	98	013-06060020	Key(6*6*20)(2Req)
27	5K-7043.7044	Ball Bearing Spacer	99	001-M0800040	Socket Cap Screw(M8*40)(3Req)
29	5K-7056	Bearing Locknut(2Req)	100	001-M0600012	Socket Cap Screw(M6*12)(10Req)
30	5K-7057-2	Washer	101	001-M0800020	Socket Cap Screw(M8*20)(11Req)
31	035-000AW10	Lock Washer(AW10#)(2Req)	102	001-M0500045	Socket Cap Screw(M5*45)
33	5K-7080	Gear Shaft	103	001-M0500016	Socket Cap Screw(M5*16)(5Req)
34	5K-7083	Bull Gear Pinion	104	001-M0600020	Socket Cap Screw(M6*20)(7Req)
36	020-006204ZZ	Ball Bearing(6204ZZ)(2Req)	105	001-M1000030	Socket Cap Screw(M10*30)(6Req)
37	5K-7084	Ball Bearing Housing	106	001-M0400025	Socket Cap Screw(M4*25)(2Req)
38	011-I0000005	Washer(5/8)	107	001-M0600030	Socket Cap Screw(M6*30)(2Req)
39	5K-7055	Compression Spring(3Req)	108	001-M0600030	Socket Cap Screw(M6*30)(3Req)
40	7055-1	Adjust Pin(3Req)	109	001-M0500012	Socket Cap Screw(M5*12)(3Req)
41	020-06209LLB	Ball Bearing(6209LLB)	110	013-1008R070	Key(10*8*70)
42	020-06013LLB	Ball Bearing (6013LLB)	111	001-M0500010	Socket Cap Screw(M5*10)
43	5K-8029	Brake Bearing Cap	112	036-00000010	Grease Nipple(1/8")
44	5K-6040-1	Washer	113	037-00000010	Oil Cap(1/8")(2Req)
46	5K-7013	Top Bearing Cap	114	013-08007060	Key(8*7*60)
47	5K-7070	Hi-Low Shaft Crank	115	5K-6031-M	Darwbar For M/M NT-40# Type
48	5K-7071	Hi-Low Pinion Block	115	5K-6031-I	Darwbar For Inch NT-40# Type
49	5K-7066	Hi-Low Detent Plunger	115	5K-6031MBT	Darwbar For M/M BT-40# Type
50	5K-7067	Spring	115	5K-6031-ICAT	Darwbar For Inch CAT-40# Type
51	TRH-6013-1	Cover	115	5K-6031P-M	For M/M NT-40# Power Darwbar Type
52	6013I-2	Cover	115	5K-6031P-I	For Inch NT-40# Power Darwbar Type
53	7051	Guib For Clutch Bracket(2Req)	115	5K-6031P-MBT	For M/M NT-40# Power Darwbar Type
54	5K-7061	Nut(W1/2)(3Req)	115	5K-6031P-ICAT	For Inch CAT-40# Power Darwbar Type
55	5K-7063	Studs(3Req)	116	5K-8020	Plastic Insert
56	5B-6009N	Motor Timing Pulley(5GT-55T)	117	006-M0400005	Chen Blocked RD. HD.Screw(4Req)
57	5BI-6001-5HP	5HP-Inverter Motor			