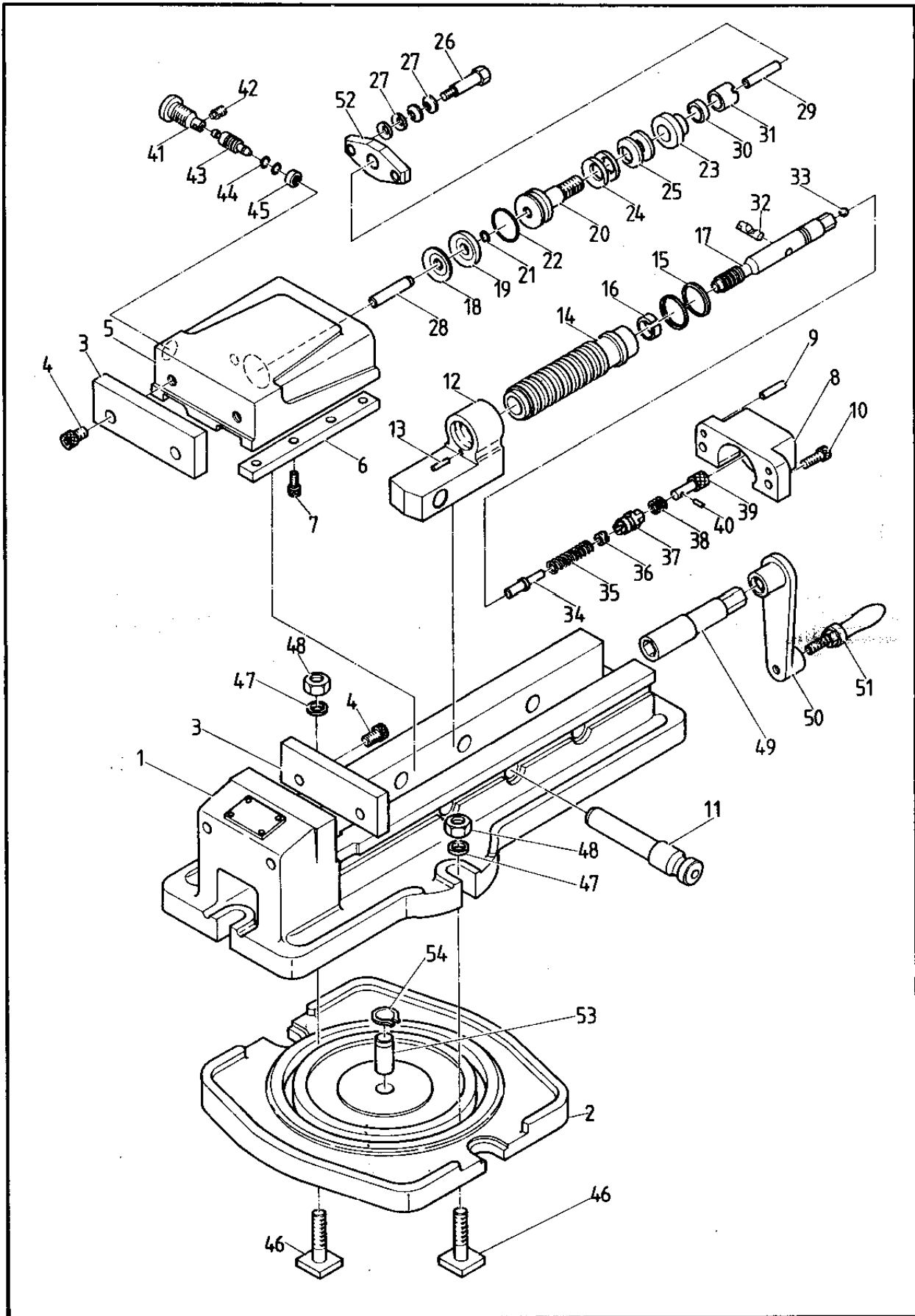


11. ASSEMBLY DRAWING.



12. PARTS NUMBER.

NO	Part no	Description	NO	Part no	Description
01	HP601	Base	28	HP615	Piston
02	HP602	Swivel base	29	HP616	Push rod
03	HP603	Jaws	30	HP617	Distance ring
04	OB0130	Jaws bolt	31	HP618	Round nut
05	HP604	Sliding stock	32	HP619	Stop for master screw rod
06	HP605	Top gib	33	OB1460	Steel ball
07	OB0120	Bolt	34	HP620	Spring guide pin
08	HP606	Master screw rod support	35	OB1525	Spring
09	OB1310	Taper pin	36	HP621	Adjusting screw for spring
10	OB0122	Bolt	37	HP622	End bolt for minor screw rod
11	HP607	Lock pin	38	OB1520	Change-over coil spring
12	HP608	Fixed tube nut	39	HP623	Hydraulic-normal selector knob
13	OB1356	Spring pin	40	HP624	Pin
14	HP609	Master screw rod	41	HP625	Oil plug
15	OB1645	Dish spring for master screw rod	42	OB0600	Bolt
16	HP610	Stopper ring	43	HP626	Plug Rod
17	HP611	Minor screw rod	44	OB3105	"O" ring
18	OB3010	"V" oil packing	45	OB3055	"E" oil packing
19	OB3030	"VE" oil packing	46	OB0713	Swivel base locking bolt
20	HP612	Dish spring holder	47	OB1011	Washer
21	OB3110	Piston "O" ring	48	OB1115	Swivel base clamping nut
22	OB3125	Spring holder "O" ring	49	HP628	Handle joint
23	HP613	Spring press ring	50	HP629	Handle
24	OB1640	Dish spring	51	OB1705	Revolving grip
25	OB1642	Dish spring	52	HP631	Flinching metal
26	HP614	Bolt for auxiliary spring	53	HP632	Swivel pin
27	OB1610	Auxiliary dish spring	54	OB1250	Snap ring

Part number instruction

