

# SPARES

for

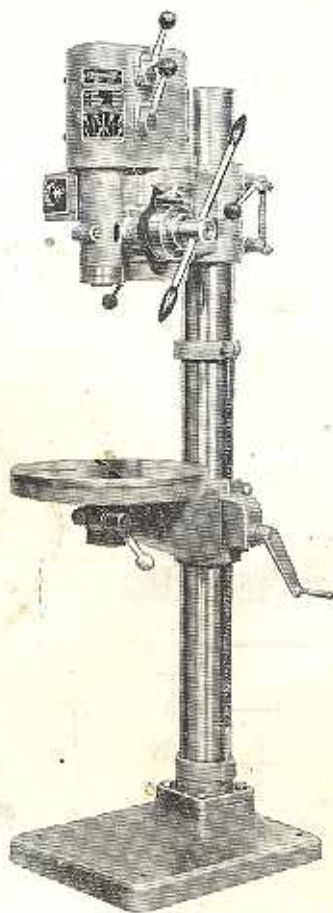
**S-53**

*DOG CLUTCHES*

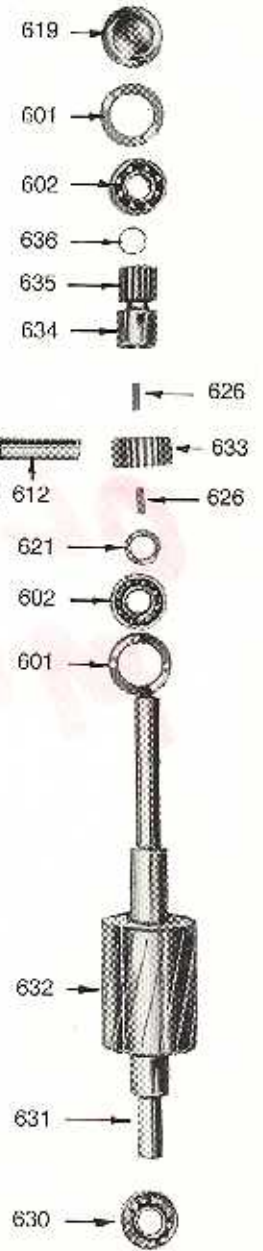
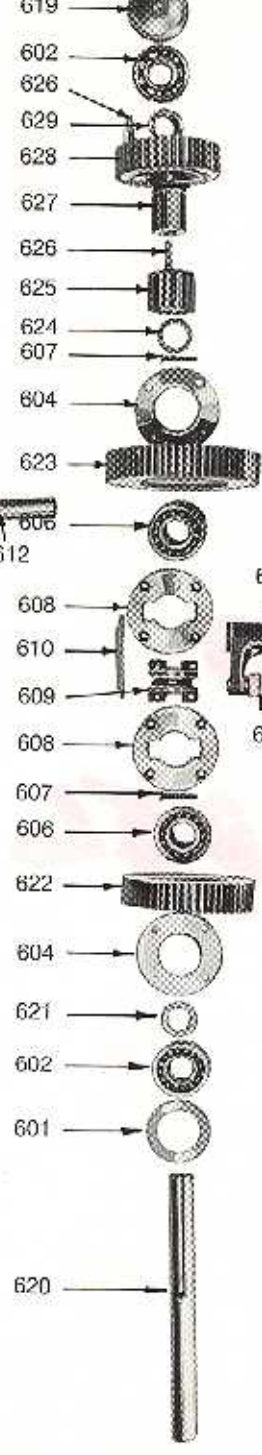
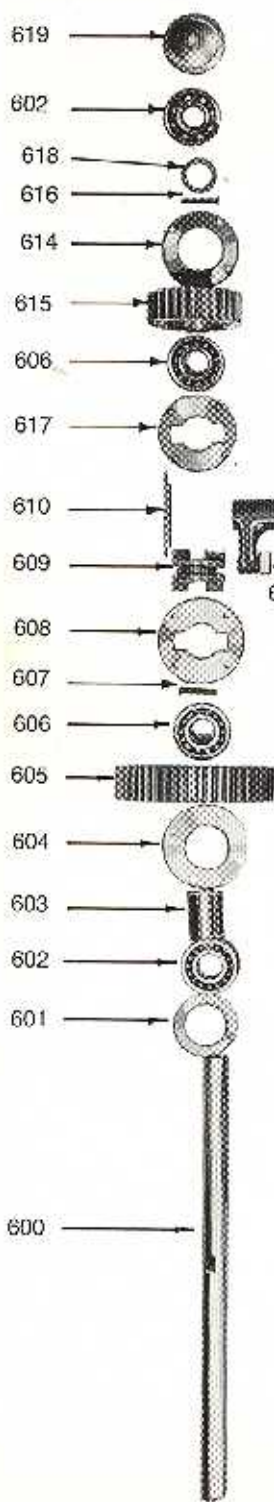
*600 - 646*

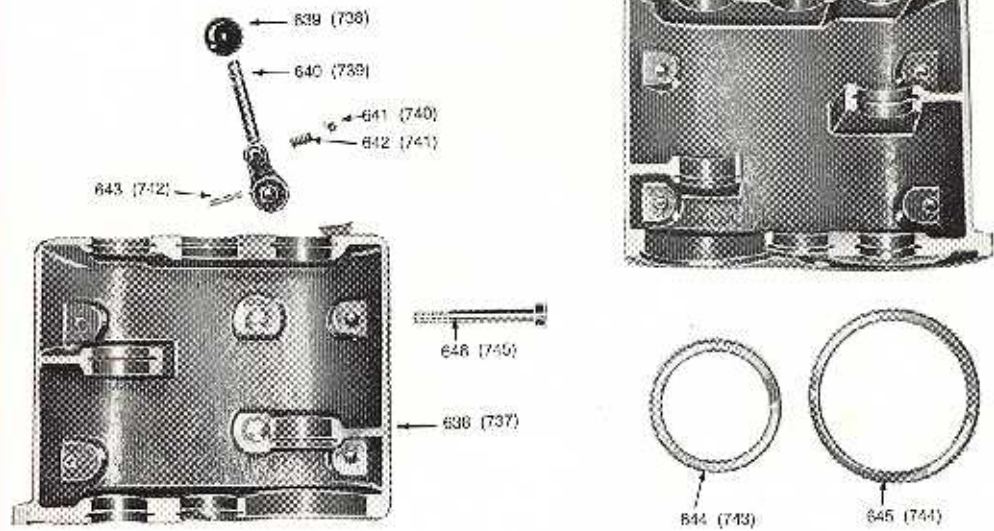
*900 - 953*

*1000 - 1029*



A.B.  
**STRANDS**  
M/FN VERKSTAD  
ROSENFORS  
SWEDEN

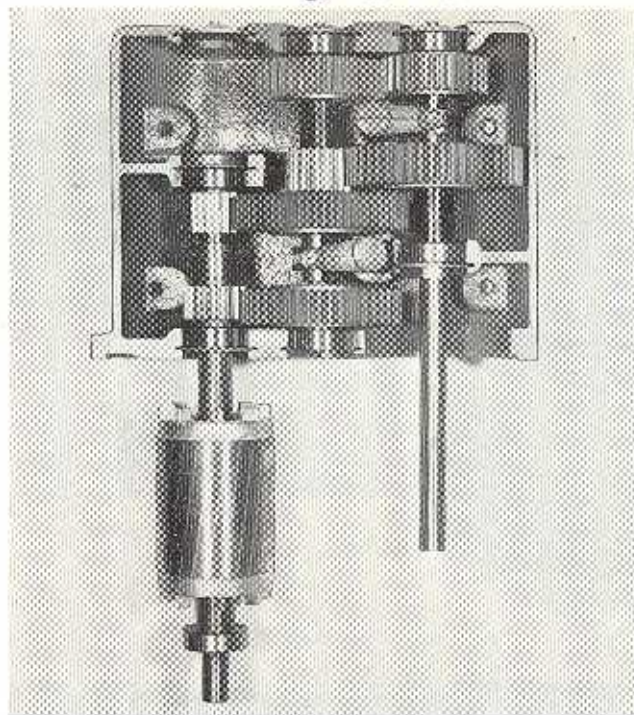




## GEAR BOX

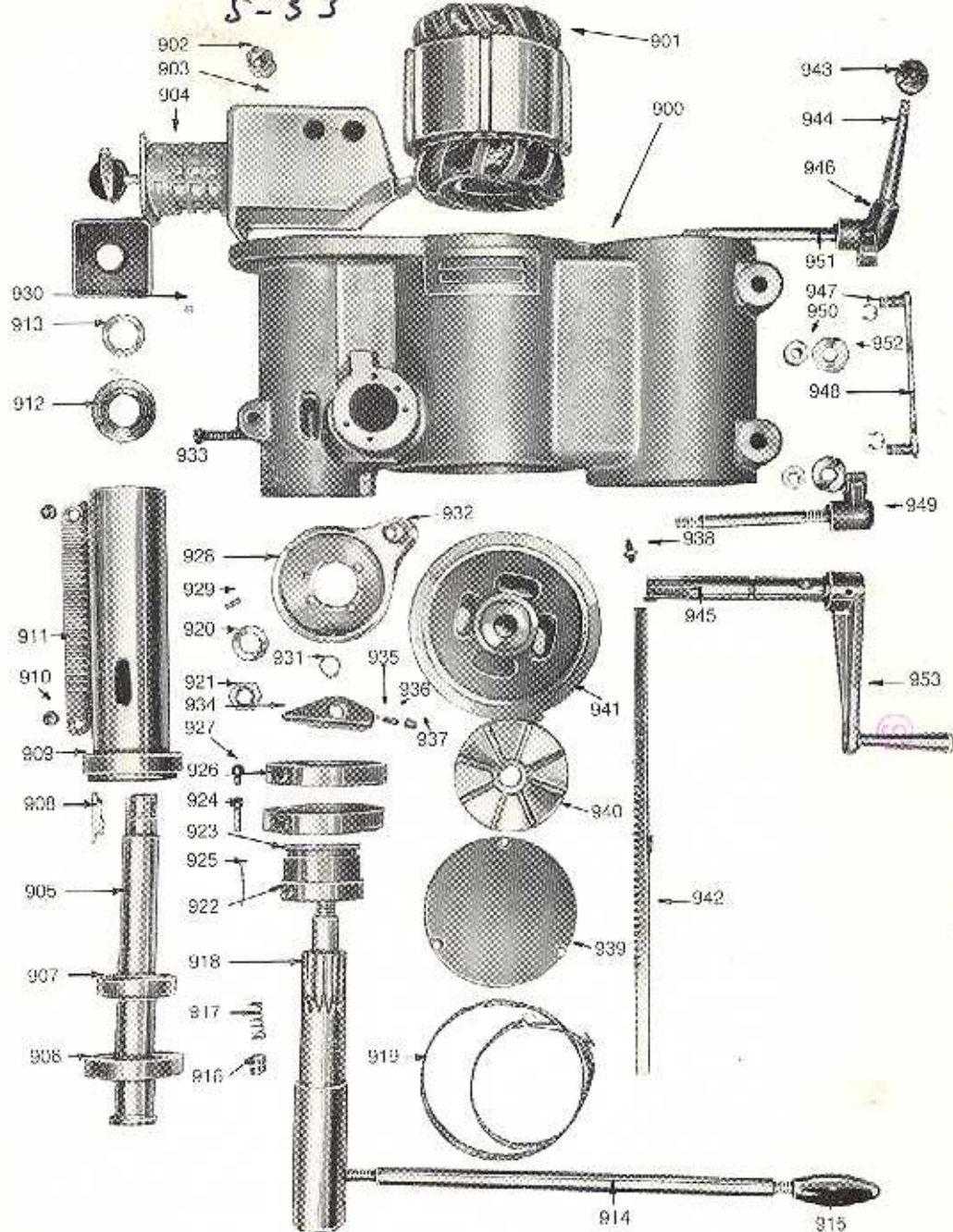
- 600 Spindle shaft
- 601 Guide ring
- 602 Ball bearing 6203
- 603 Distance ring 34 mm
- 604 Rivet washer 60 mm
- 605 Gear wheel 51 Z fibre
- 606 Ball bearing 4203
- 607 Rivet 4 mm
- 608 Clutch plate
- 609 Clutch shoulder
- 610 Insertion wedge 44 mm
- 611 Guide seal
- 612 Gear lever shaft
- 613 Clutch yoke
- 614 Rivet washer 54 mm
- 615 Gear wheel 30 Z steel
- 616 Rivet 3 mm
- 617 Clutch plate 54 mm
- 618 Distance ring 3 mm
- 619 Cover with grease fitting
- 620 Intermediary shaft
- 621 Distance ring 5 mm
- 622 Gear wheel
  - 46 Z fibre, 100-1360 revs.
  - 34 Z .. 105-3020 ..
  - 34 Z .. 250-2930 ..
- 623 Gear wheel
  - 68 Z fibre, 100-1360 revs.
  - 68 Z .. 105-3020 ..
  - 40 Z .. 250-2930 ..
- 624 Distance ring 3 mm
- 625 Gear wheel 16 Z steel
- 626 Insertion wedge 20 mm
- 627 Distance ring 29 mm
- 628 Gear wheel 37 Z fibre with bushing
- 629 Distance ring 4 mm
- 630 Ball bearing 6203 2 RS
- 631 Motor shaft
- 632 Pitor
- 633 Gear wheel
  - 17 Z steel, 100-1360 revs.
  - 29 Z .. 105-3020 ..
  - 29 Z .. 250-2930 ..
- 634 Distance ring
  - 36 mm, 250-2930 revs.
- 635 Gear wheel
  - 16 Z steel, 100-1360 revs.
  - 16 Z .. 105-3020 ..
  - 23 Z .. 250-2930 ..
- 636 Distance ring
  - 2 mm, 100-1360 revs.
  - 2 .. 105-3020 ..
  - 2 .. 250-3020 ..
- 637 Gear box, left part
- 638 Gear box, right part
- 639 Machine ball 25 mm
- 640 Gear control lever
- 641 Steel ball
- 642 Spring
- 643 Clamp pin
- 644 Guide ring Ø 100 mm
- 645 Guide ring Ø 131 mm
- 646 Screw EC6S 118x90 mm

When ordering, please state type of machine and speed series.



## FRAME

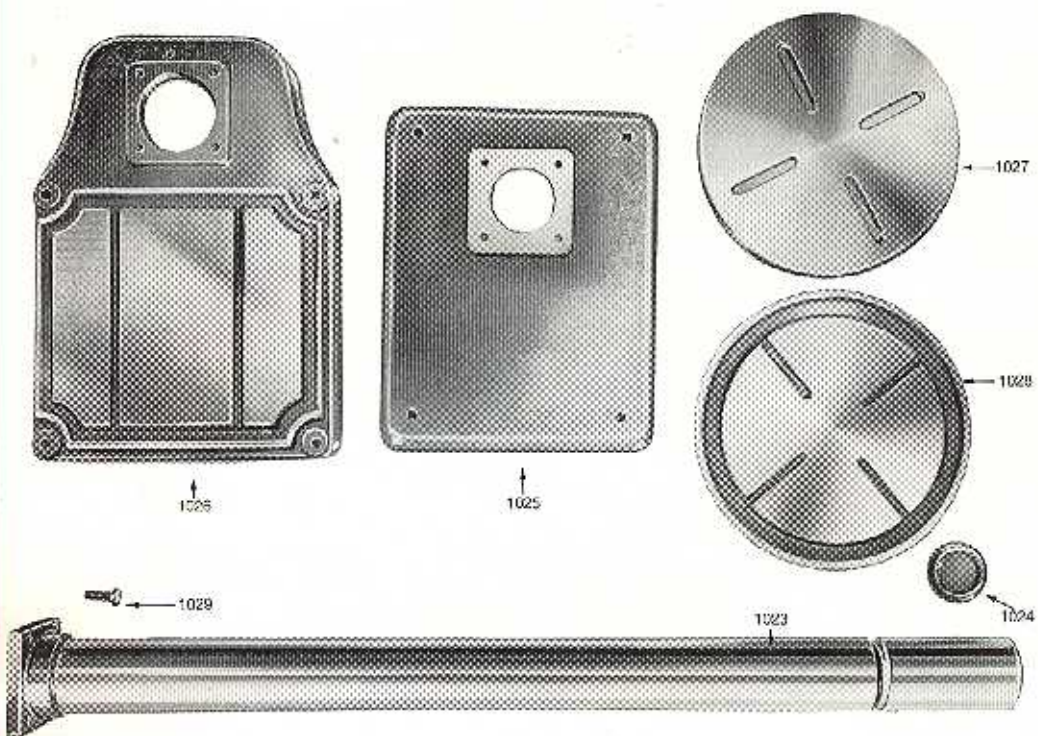
- |                                     |                                |
|-------------------------------------|--------------------------------|
| 900 Frame                           | 923 Support for scale ring     |
| 901 Stator                          | 924 Screw EC6S M6×10 mm        |
| 902 Seal sleeve                     | 925 Flat spring                |
| 903 Switch cover                    | 926 Scale ring                 |
| 904 Switch                          | 927 Screw EC6S M6×10 mm        |
| 905 Spindle drill                   | 928 Spring housing             |
| 906 Roller bearing cover            | 929 Taper pin                  |
| 907 Roller bearing 30206            | 930 Crease fitting             |
| 908 Chasing wedge                   | 931 Seeger-lock Sg A 15        |
| 909 Spindle sleeve                  | 932 Axe for stop lug           |
| 910 Screw DIN 7984, M8×12           | 933 Screw EC6S M8×50           |
| 911 Rack                            | 934 Stop lug                   |
| 912 Ball bearing 6205 z             | 935 Steel ball                 |
| 913 Locking nut                     | 936 Spring 937 Screw P655 M8×8 |
| 914 Spindle feed lever              | 937 —                          |
| 915 Handle for feed lever           | 938 Screw 1655 M6×19           |
| 916 Spring plug for down-feed lever | 939 Protective shield          |
| 917 Spring for ditto                | 940 Fan                        |
| 918 Gear arm                        | 941 Bearing bracket            |
| 919 Return spring                   | 942 Rack for frame lift        |
| 920 Washer                          | 943 Machine ball               |
| 921 Nut M16                         | 944 Handle                     |
| 922 Screw P655 M8×8                 | 945 Gear arm for frame lift    |



946 Support for locking lever  
 947 Secyer-lock RS 8  
 948 Locking link with journals  
 949 Locking arm

950 Nut  $\frac{3}{8}$ "  
 951 Stud bolt 127 mm  
 952 Washer  
 953 Crank

S-53



### TABLE ARM and PILLAR

- |      |                            |      |                                      |
|------|----------------------------|------|--------------------------------------|
| 1000 | Table arm                  | 1015 | Stud bolt 135 mm                     |
| 1001 | Gear wheel 177             | 1016 | Support for locking lever            |
| 1002 | Axe for ditto              | 1017 | Arm for ditto                        |
| 1003 | Worm screw                 | 1018 | Machine ball                         |
| 1004 | Distance ring              | 1019 | Set collar                           |
| 1005 | Crank                      | 1020 | Screw EC6S M8 x 30                   |
| 1006 | Crease fitting             | 1021 | Rack                                 |
| 1007 | Ball handle                | 1022 | Pillar ring                          |
| 1008 | Washer for ditto           | 1023 | Pillar                               |
| 1009 | Stud bolt 105 mm           | 1024 | Pillar cover                         |
| 1010 | Nut 3/8"                   | 1025 | Base plate                           |
| 1011 | Locking link with journals | 1026 | Base plate with T-slots & oil groove |
| 1012 | Seeger-lock RS 8           | 1027 | Table                                |
| 1013 | Locking arm                | 1028 | Table with T-slots & oil groove      |
| 1014 | Washer for ditto           | 1029 | Bolt M12 x 40                        |

S-53

