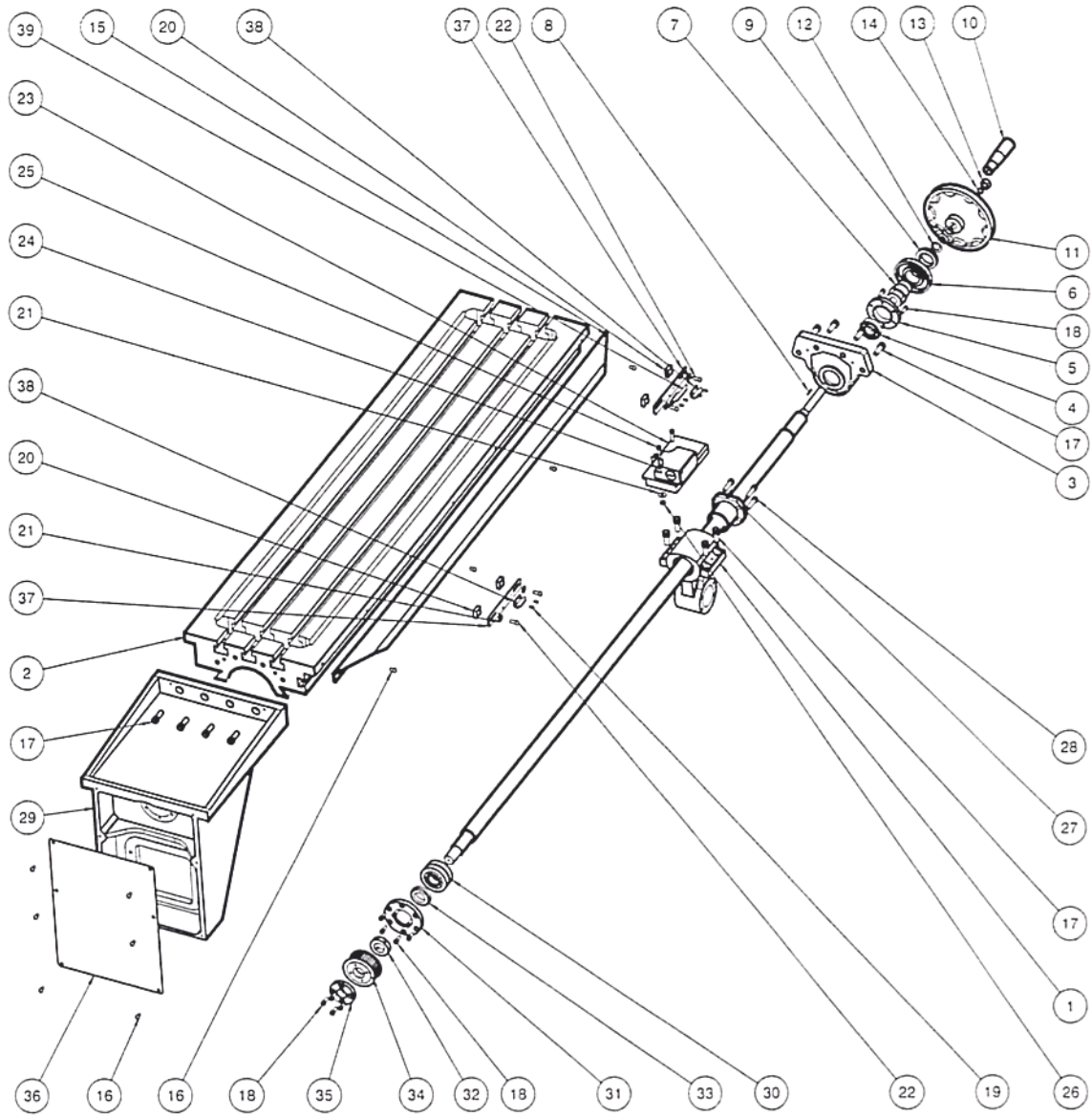


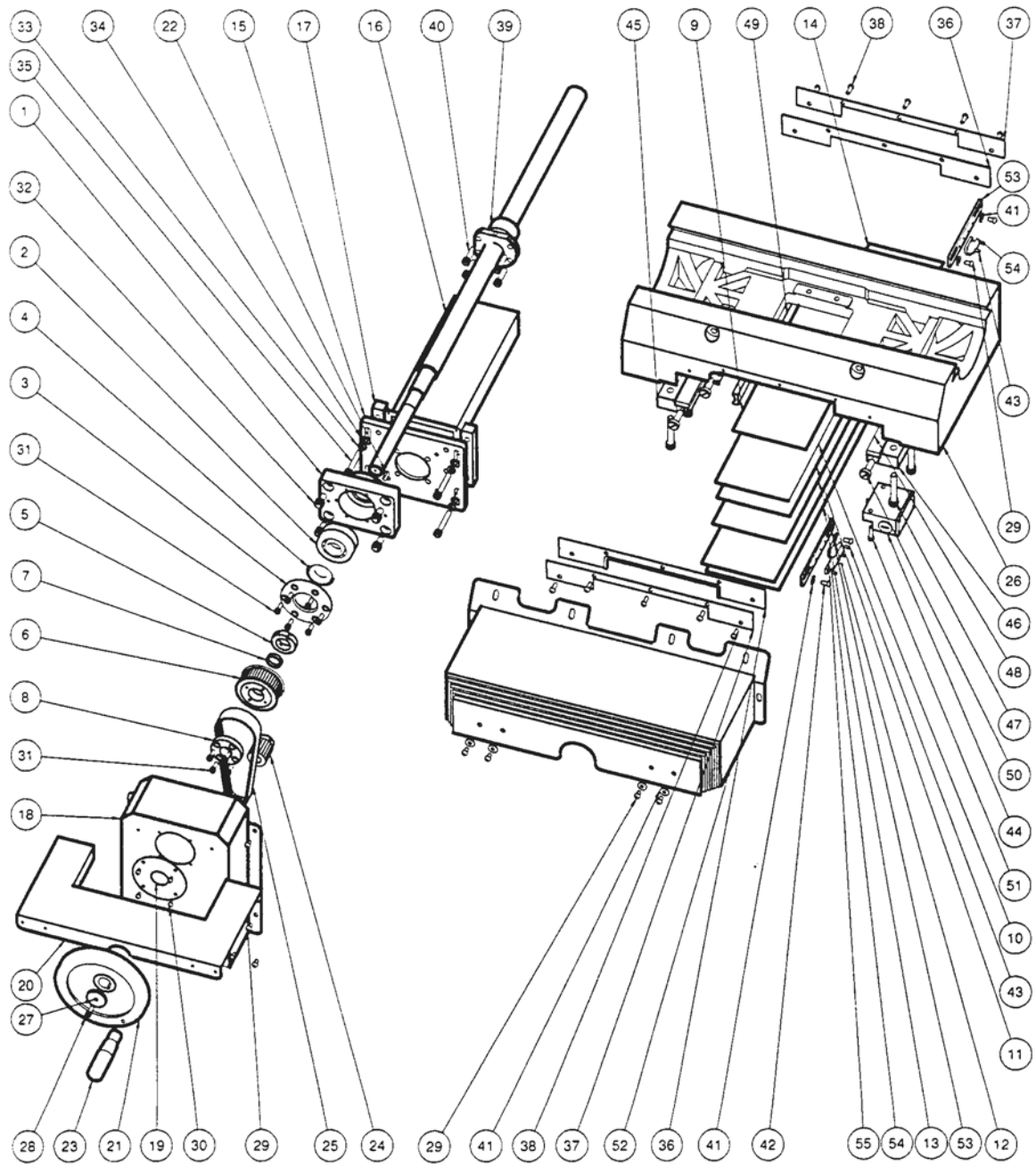
# X-AXIS ASSEMBLY



## X-AXIS ASSEMBLY

ITEM NO.	PARTS NO.	DESCRIPTION
1	TF-3025	LONGITUDINAL FEED BRACKET
2	5G-2001	TABLE ( 12"×50 ")
3	2006	BEARING BRACKET
4	020-006204ZZ	PRECISION BALL SCREW BEARING
5	3A-2011	BEARING RETAINER RING
6	2012	DIAL WITH 200 GRADUATIONS
7	2014	DIAL HOLDER
8	013-03030020	KEY
9	2016	DIAL LOCK NUT
10	4G-2018-1	HANDLE
11	4G-2018A	HAND WHEEL
12	034-AL500-011	WASHER (3 Req.)
13	009-10000006	JAM NUT
14	012-M0000008	SPRING WASHER
15	5A-2021-800	TABLE FRONT COVER
16	002-M0600010	HEMISPHERE HEAD CAP SCREW (10 Rep)
17	001-M1000025	SOCKET HEAD CAP SCREW (12 Rep)
18	001-M0600010	SOCKET HEAD CAP SCREW (16 Rep)
19	002-M0400008	HEMISPHERE HEAD CAP SCREW (6 Rep)
20	5A-2043	BLOCKING (4 Rep)
21	011-M0000006	WASHER (8 Rep)
22	002-M0600016	HEMISPHERE HEAD CAP SCREW (4 Rep)
23	4G-2036	LIMIT SWITCH BRACKET
24	3A-2034	LIMIT SWITCH
25	001-M0600025	SOCKET HEAD CAP SCREW (2 Rep)
26	009-M0000006	JAM NUT (2 Rep)
27	TF-2002A	X-AXIS BALL SCREW
28	001-M0800030	SOCKET HEAD CAP SCREW (4 Rep)
29	TF-2006A	X-AXIS MOTOR BRACKET
30	020-0BST2562	PRECISION BALL SCREW BEARING (2 Rep)
31	TA-2011	BEARING RETAINER RING
32	021-0000MR25	LOCK NUT
33	TA-2013	DUST PROOF WASHER
34	5B-2013A	TIMING BELT PULLEY
35	TA-2014A	FIXED BLOCK FOR COME RING KEY
36	TF-2007A	COVER
37	4B-2031	LIMIT SWITCH BRACKET (2 Rep)
38	4B-2029	LIMIT DOG (2 Rep)
39	4B2029H	LIMIT DOG

# Y-AXIS ASSEMBLY



## Y-AXIS ASSEMBLY

ITEM NO	PARTS NO.	DESCRIPTION
1	3B-3005	CROSS FEED BEARING BRACKET
2	020-0BST2562	PRECISION BALL SCREW BEARING (2Req)
3	TA-2011	BEARING RETAINER RING
4	TA-2013	DUST PROOF WASHER
5	021-0000MR25	LOCK NUT
6	5B-2013A	TIMING BELT PULLEY
7	032-00022X26	CONE RING KEY
8	TA-2014A	FLED BLOCK FOR CONE RING KEY
9	TF-3011	CHIP GUARDS
10	TF-3012	CHIP GUARDS
11	TF-3013	CHIP GUARDS
12	TF-3014	CHIP GUARDS
13	TF-3015	CHIP GUARDS
14	TF-3016	CHIP GUARDS
15	5B-3006E	MOTOR BRACKET
16	5B-3006E-1	MOTOR SHAFT
17	TB-3020-1	BLOCK (2Req)
18	3B-3004	CROSS FEED PULLEY COVER
19	3B-3004-1	Y-AXIS COVER
20	TF-3037A-1	TELESCOPIC GUARD SUPPORT
21	4G-2018	HAND WHEEL
22	013-05050020	KEY
23	4G-2018-1	HANDLE
24	5B-2018Z	TIMING BELT PULLEY
25	023-05M47525	TIMING BELT
26	5K-3001	SADDLE
27	011-M0000006	WASHER
28	002-M0600016	HEMISPHERE HEAD CAP SCREW
29	002-M0600010	HEMISPHERE HEAD CAP SCREW (14Req)
30	002-M0500008	HEMISPHERE HEAD CAP SCREW (4Req)
31	001-M0600010	SOCKET HEAD CAP SCREW (10Req)
32	001-M1000016	SOCKET HEAD CAP SCREW (4Req)
33	012-M0000008	SPRING WASHER (Req.)
34	011-M0000008	WASHER (4Req)
35	001-M08000050	SOCKET HEAD CAP SCREW (4Req)
36	4H-3037	FELT WIPERS (2Req)
37	4H-3037-1	WIPER HOLDER (2Req)
38	002-M0600016	HEMISPHERE HEAD CAP SCREW (10Req)
39	TF-3002A	Y-AXIS BALL SCREW
40	001-M0800030	SOCKET HEAD CAP SCREW (4Req)
41	011-M0000006	WASHER (8Req)
42	002-M0600012	HEMISPHERE HEAD CAP SCREW (2Req)
43	002-M0400008	HEMISPHERE HEAD CAP SCREW (6Req)
44	3A-2034	LIMIT SWITCH
45	5K-3050	SADDLE/BASE GIB SUPPORT
46	5K-3051	SADDLE/BASE GIB SUPPORT
47	001-M10000060	SOCKET HEAD CAP SCREW (4Req)
48	4H-3027-1	SADDLE/BASE GIB (2Req)
49	4H-3027	SADDLE/BASE GIB
50	3028	GIB ADJ. SCREW (6Req)
51	001-M0600025	SOCKET HEAD CAP SCREW (2Req)
52	TF-3037	TELESCOPIC COVER
53	4B-2031	LIMIT SWITCH BRACKET (2Req)
54	4B-2029	LIMIT DOG (2Req)
55	4B-2029H	LIMIT DOG